

GAS SUPPLY ENACTMENT 2023
(No. 12 of 2022)

GAS SUPPLY REGULATIONS 2023
(G.N.S 1 of 2023)

ARRANGEMENT OF REGULATIONS

PART I

PRELIMINARY

Regulation

1. Citation and commencement
2. Interpretation
3. Scope of application

PART II

LICENCE

4. Categories of licence
5. Application for licence
6. Fee for licence
7. Renewal of licence
8. Suspension or revocation of licence
9. Duty of distribution, retail and private gas licensee to keep and maintain record

PART III
GAS INSTALLATION

Regulation

10. Classification of gas installation
11. Installation to be carried out in accordance with Regulations
12. Approval to install
13. Approval to operate
14. Certificate of Completion
15. Test Certificate
16. Notification of an existing gas installation work
17. The Commission may order work to be suspended or stopped
18. Supervision of work on gas installation by competent person
19. The Commission or licensee to determine point of termination

Inspection and Test

20. The Commission may inspect and test gas installation
21. Fee for inspection and test of gas installation

Information, Excavation and Safety of Gas Installation

22. Location of gas installation
23. Area around indicated location
24. Installation in vicinity of underground structure
25. Notice to licensee

Regulation

26. Request for information from licensee or agent on location of gas installation
27. Information from licensee or agent on location of gas installation
28. Not to commence excavation work until information is received
29. Duty to notify licensee on intention to excavate
30. Supervision on excavation work
31. Hand digging to confirm location
32. Probing with pointed tools prohibited
33. Gas installation not within the zone prescribed
34. Non-metallic gas installation without tracer wire
35. Excavator shall maintain markings
36. Prohibition on excavation work which is damaging to gas installation
37. Blasting
38. Verification of information
39. Emergency excavations
40. Power of authorised officer to stop excavation
41. Notification of damage
42. Steps to be taken when gas leaks
43. Exposure of installation
44. Exposure of fittings
45. Cathodic protection devices
46. Damage to protective wrapping
47. Backfilling
48. Gas pipeline to be above ground level when entering building
49. No work on a gas installation until gas is turned off
50. Turning on and turning off supply

Regulation

51. Rented premises
52. Odorization
53. Installation of gas pipeline, *etc.*
54. Protection against damage to gas pipeline, *etc.*
55. Alteration or work on premises not to affect existing gas pipeline
56. Not to use gas pipeline for earth connection, *etc.*
57. Installation of new gas installation
58. Work on existing gas installation
59. Marking of gas pipeline for identification
60. Duties of responsible person or his representative where there is an escape of gas
61. Shutting off gas supply for safety reasons

PART IV

OPERATION

Connection for the Supply of Gas to Consumer

62. Requirements to be complied with before connection
63. Security
64. Refund of security
65. Recovery of charges
66. Gas supply and reconnection fees
67. Restoration of gas supply
68. Notice to vacate premises and payment of accrued charges
69. Power of authorized officer to disconnect the supply of gas and refusal to connect

Regulation

70. Power of licensee to disconnect

Inspection and Test of Gas Installation

71. Entry into premises to inspect, *etc.*, gas installation, *etc.*
72. Entry to disconnect, *etc.*, supply of gas, *etc.*
73. Entry for replacing, *etc.*, gas pipeline or gas installation
74. Powers of entry
75. Fixing of meter, changing of meter position or loss of or damage to meter
76. Reading of meter
77. Test of meter

PART V

CERTIFICATE OF COMPETENCY AND REGISTRATION

Certificate of Competency

78. Competent person to carry out work on gas pipeline, *etc.*
79. Competent person shall possess a valid Certificate of Competency
80. Certificate of Competency and scope of work of competent person
81. Medical evidence of fitness
82. Power of the Commission to modify, suspend or cancel a Certificate of Competency
83. Modification, suspension or cancellation of Certificate of Competency
84. Person not to work, *etc.*, when Certificate of Competency is suspended or cancelled
85. Loss or damage of Certificate of Competency

Registration of Competent Person

Regulation

86. Registration of competent person

Examination of Competent Person

87. Panel of Examiners
88. Appointment of members of the Panel
89. Examinations
90. Conduct of examination
91. Fee for examination for Certificate of Competency
92. Application to sit for examination
93. Failure in examination

Certificate of Competency as a Gas Engineer and Gas Engineering Supervisor

94. Eligibility to become a Gas Engineer
95. Eligibility to become a Gas Engineering Supervisor

Certificate of Competency as a Gas Fitter

96. Eligibility to become a Gas Fitter
97. Issuance, restriction or endorsement of Certificate of Competency by Panel
98. Temporary registration of foreign person
99. Endorsement of equivalent Certificate of Competency by Panel

Registration of Gas Contractor

Regulation

100. Gas Contractor
101. Classification of Gas Contractor and scope of work
102. Class A Gas Contractor
103. Class B Gas Contractor
104. Class C Gas Contractor
105. Class D Gas Contractor
106. Requirements for registration as a Gas Contractor
107. Information required for registration as a Gas Contractor
108. Fees for Certificate of Registration as a Gas Contractor
109. Renewal of Certificate of Registration
110. Transfer of Certificate of Registration
111. Cancellation of Certificate of Registration
112. Replacement of Certificate of Registration of Gas Contractor
113. Removal and reinstatement of Gas Contractor

Gas Fittings, Gas Appliances and Gas Equipment

114. Certificate of Approval for assembler, manufacturer or importer of gas fittings, gas appliances and gas equipment
115. Test and certification of gas fittings, gas appliances or gas equipment before assembly, etc.
116. Fee for Certificate of Approval
117. Marking or labelling of approved gas fittings, gas appliances or gas equipment

Regulation

118. Sample of gas fittings, gas appliances or gas equipment to be delivered to the Commission
119. Examination and test of sample
120. Test, seizure and removal of dangerous gas fitting, gas appliance or gas equipment
121. Gas appliance safety precautions
122. Access to gas appliances
123. Testing of gas appliances
124. Unsafe gas appliances
125. Irreparable gas appliance

PART VI

MAINTENANCE

126. Maintenance of gas installation
127. Power of the Commission to inspect
128. Competent person to undertake maintenance work
129. Record of maintenance
130. Authorised or qualified person to do certain work
131. Testing after disconnection
132. Competent person to notify of need to repair
133. Competent person may make emergency repair
134. Replacement of meter
135. Safety and precaution during maintenance work

PART VII
MISCELLANEOUS

Regulation

- 136. Authority card
- 137. Fees to be paid in advance
- 138. Serious accident to be reported and investigated
- 139. The Commission to keep records
- 140. Offence

FIRST SCHEDULE
SECOND SCHEDULE
THIRD SCHEDULE
FOURTH SCHEDULE

GAS SUPPLY ENACTMENT 2023

(No. 12 of 2022)

GAS SUPPLY REGULATIONS 2023

(G.N.S 1 of 2023)

IN exercise of the powers conferred by section 80 of the Gas Supply Enactment 2023, the Minister, makes the following regulations:

PART I

PRELIMINARY

Citation and commencement

1. (1) These regulations may be cited as the Gas Supply Regulations 2023.
- (2) These Regulations come into operation on 10 January 2023.

Interpretation

2. In these Regulations, unless the context otherwise requires —

“additional gas installation” means an addition of gas pipeline to an existing gas installation which is not indicated in the drawings of the existing gas installations which have been approved;

“domestic gas installation” means a single gas installation in a private dwelling which is not used as a hotel or boarding house or for the purpose of carrying out any business, trade or profession or for providing any service;

“gas appliance” means an appliance designed for use or to be used by a consumer of gas for heating, burning, motive power or other purposes for which gas can be used and includes a gas appliance regulator;

“Gas Contractor” means a person who holds a Certificate of Registration as a Gas Contractor issued under regulation 100;

“Gas Engineer” means a person who holds a Certificate of Competency as a Gas Engineer issued under regulation 94;

“Gas Engineering Supervisor” means a person who holds a Certificate of Competency as a Gas Engineering Supervisor issued under regulation 95;

“gas equipment” means a functioning item such as a valve or pressure regulator used in a gas system;

“Gas Fitter” means a person who holds a Certificate of Competency as a Gas Fitter, with or without restrictions, issued under regulation 97;

“gas fitting” means an item in a piping or tubing system that is used as a connector such as an elbow, a return bend, tee, a union, a bushing, coupling, cross or nipple but does not include a functioning item such as a valve or pressure regulator;

“gas main pipe” means a pipe installed in a community to convey gas to an individual service pipeline or other main pipe;

“gas service pipe” means the pipe between the gas main pipe and a meter installed on the premises of a consumer and includes any pipedownstream of a service isolation valve;

“meter” means a device installed to measure, ascertain or regulate the amount of gas taken or used from the main supply;

“operating pressure” means the pressure of gas at which a gas system is operated;

“person” includes a firm, a company, an association, a partnership (whether or not having a separate legal personality), or a body of persons (whether incorporated or not);

“purge” means the removal of all air and gas other than the gas supplied from a gas service pipe, meter, gas equipment or gas appliance;

“regulator” means a device used for regulating gas pressure;

“responsible person”, in relation to any premises, means the licensee or consumer, or an occupier of the premises, or where there is no consumer or occupier, the owner of the premises or any person authorized by the consumer or occupier to

be in charge of the gas pipeline or gas installation in the premises;

“service isolation valve” means a valve installed at or near the boundary line of a property or at the apron of a building for the purpose of controlling or shutting off gas flow;

“valve” means a device used for the purpose of controlling or shutting off gas flow and includes a service isolation valve;

“work”, in relation to a gas pipeline or gas installation, means the following work:

- (a) installing a gas pipeline or gas installation;
- (b) constructing, testing, fixing, operating, maintaining, servicing, adjusting, repairing, altering or renewing a gas pipeline or gas installation or the purging of air or gas in the gas pipeline;
- (c) changing the position of a gas pipeline or gas installation; or
- (d) removing a gas pipeline or gas installation.

Scope of application

3. (1) These Regulations shall apply in relation to —

- (a) a gas pipeline or gas installation which is supplied or is to be supplied with gas;
- (b) a gas fitting which forms part of the gas pipeline or gas installation; and
- (c) a gas appliance or any part of it used in the gas pipeline or gas installation.

(2) For the purposes of these Regulations, a reference to the installation of a gas pipeline includes a reference to the conversion of a pipe, fitting, meter, equipment, apparatus or appliance in order to use the gas supplied through the pipeline.

PART II

LICENCE

Categories of licence

4. The licence granted under section 4 of the Enactment shall be categorised as follows —

- (a) import into regasification terminal;
- (b) processing of gas;
- (c) regasification;
- (d) shipping;
- (e) transportation;
- (f) distribution;
- (g) retail; and
- (h) use of gas.

Application for licence

5. (1) A person applying for a licence to carry out any activity under section 4 of the Enactment shall submit the application to the Commission together with the details as specified in section 5 of the Enactment.

(2) The application under subregulation (1) shall be in Form A as prescribed in the First Schedule.

Fee for licence

6. The person issued with a licence shall pay the fee at the rate as prescribed in Part I of the Third Schedule.

Renewal of licence

7. (1) An application for the renewal of a licence shall be made —

- (a) in the case of processing of gas licence, at the time as specified in the licence;
- (b) in the case of an import of gas licence, a regasification licence, a shipping licence, a transportation licence or a distribution licence, at the time as specified in the licence; and
- (c) in the case of a private gas licence or retail licence, in not less than two months before the date of expiry of the licence.

(2) The application for renewal of a licence under paragraph (1)(c) may be approved by the Commission after an inspection and test of the gas installation has been carried out, but the Commission may, in its discretion, renew the licence without any inspection or test.

(3) For the purpose of subregulation (2), the licence shall be valid for a period of twelve months from the date of renewal.

Suspension or revocation of licence

8. (1) A licence issued under these Regulations may be suspended or revoked by the Commission if —

- (a) the installation is no longer required to be used;
- (b) the installation is found to be unsafe for use;
- (c) the holder of the licence has failed to comply with these Regulations or any codes issued under the Enactment; or
- (d) the licence was granted based on the submission of false, incorrect or misleading information.

(2) Upon the revocation of a licence under subregulation (1), the holder of the licence shall, within fourteen days from the date he is notified in writing of the revocation, surrender the licence to the Commission.

(3) Upon the suspension of a licence under subsection 10(1) of the Enactment, the holder of a licence shall, within fourteen days from the date he is notified in writing of the suspension, surrender the licence to the Commission.

Duty of distribution, retail and private gas licensee to keep and maintain record

9. (1) A distribution, retail and private gas licensee shall keep and maintain a proper record of all installations for the inspection and approval of the Commission.

(2) The record shall contain the following details:

- (a) details of the location of the installation;
- (b) name and address of the owner of the premises;
- (c) name and address of the occupier of the premises;
- (d) a copy of the Certificate of Completion;
- (e) a copy of the Test Certificate;
- (f) any other information as the Commission deems necessary.

(3) In addition to the records kept and maintained under subregulations (1) and (2), a distribution, retail or private gas licensee shall keep and maintain the following records and produce them within the specified time when required to do so by the Commission —

- (a) the quantity of gas sold per month;
- (b) the number of breakdown of installations and accidents involving distribution pipelines or piping system, as the case may be;
- (c) a list of all consumers; and
- (d) any other information as the Commission deems necessary.

PART III

GAS INSTALLATION

Classification of gas installation

10. All gas installations shall be classified in accordance with the classes as specified in Table 1 of the Second Schedule.

Installation to be carried out in accordance with Regulations

11. Every work on a gas installation shall be carried out in accordance with these Regulations and any condition as may be determined by the Commission.

Approval to install

12. (1) Before commencing work on any new installation, additional gas installation or extension of gas installation, a person shall apply to the Commission for an approval to install and shall attach the drawings of the system properly engineered to a suitable scale or in isometric projection showing all the details of the gas installation.

(2) The drawings referred to in subregulation (1) shall be endorsed by a Gas Engineer, Gas Engineering Supervisor, Class I Gas Fitter or Class II Gas Fitter, as the case may be.

(3) The Commission may approve the application if the Commission is satisfied that the application has met the requirements of these Regulations.

(4) All the terms and conditions of the approval to install shall be complied with by —

- (a) the owner of the installation;
- (b) the competent person engaged to advise on the work on the installation, to the extent of his scope of work; and
- (c) the Gas Contractor registered with the Commission, carrying out the work on the installation,

as contained in an approval to install issued by the Commission pursuant to subregulation (3).

(5) The fee payable for processing the application for and the issuance of the approval to install is as prescribed in Part I of the Third Schedule.

Approval to operate

13. (1) Upon completion of a new gas installation, additional gas installation or extension of gas installation work, the applicant shall apply for an approval

to operate it from the Commission by submitting a written application together with a Certificate of Completion issued under regulation 14 and a Test Certificate issued under regulation 15.

(2) The Commission may approve the application if it is satisfied that the applicant has fulfilled the requirements of these Regulations and subsequently issue an approval to operate, containing such terms and conditions as it deems fit.

(3) The fee payable for processing the application for and the issuance of the approval to operate is as prescribed in Part I of the Third Schedule.

Certificate of Completion

14. The Certificate of Completion referred to in regulation 13 shall be in Form B as prescribed in the First Schedule and shall be issued and signed by the appropriate competent person who supervises the installation work as specified in Table 2 of the Second Schedule.

Test Certificate

15. (1) Before gas is supplied to a new gas installation or an additional gas installation, the new gas installation or the additional gas installation shall be tested and certified to be safe from leakage by the appropriate competent person as specified in Table 2 of the Second Schedule.

(2) Upon carrying out the test under subregulation (1), the competent person shall issue a Test Certificate which shall be in Form C as prescribed in the First Schedule.

Notification of an existing gas installation work

16. (1) No person shall commence any work on an existing gas installation without first notifying the Commission or the licensee, as the case may be.

(2) The notification under subregulation (1) shall be in Form D as set out in the First Schedule.

The Commission may order work to be suspended or stopped

17. Where a person fails to comply with regulation 16, the Commission may order the work on the gas installation to be suspended or stopped.

Supervision of work on gas installation by competent person

18. Every work on a gas installation shall be supervised by a competent person employed by the Gas Contractor who is carrying out the installation work.

The Commission or licensee to determine point of termination

19. The point of termination of the gas main pipe, gas service pipe and riser in premises supplied with gas shall be determined by the Commission or the licensee, as the case may be.

Inspection and Test

The Commission may inspect and test gas installation

20. (1) The Commission may inspect and test a gas installation after giving notice of the intention to inspect and test as prescribed in Form E of the First Schedule.

(2) The notice under subregulation (1) shall be served either personally or by registered post or may be affixed at a conspicuous place of the premises where the gas installation which is to be inspected and tested is located.

(3) The notice under subregulation (1) shall be valid for a period not exceeding twenty-one days from the date of issue.

(4) Upon receipt of the notice under subregulation (1) the responsible person shall make or cause to be made the necessary preparation for the carrying out of the inspection and test and shall be present at the time of the inspection and test.

Fee for inspection and test of gas installation

21. The fee as prescribed in Part I of the Third Schedule shall be charged for the inspection and test of the gas installation.

Information, Excavation and Safety of Gas Installation

Location of gas installation

22. (1) The location of a gas installation shall be indicated in accordance with one or more of the following methods:

- (a) provision of a plan on or listing of facility locations by measurement from a surface datums point;
- (b) surface staking; or
- (c) surface marking.

(2) For the purpose of subregulation (1) the concrete marker, warning sign post and pipeline marker for a traffic area shall be as prescribed in Figure 1, 2 or 3 respectively, of the Fourth Schedule.

Area around indicated location

23. A prelocated or marked gas installation shall be considered to lie within a zone equal to the diameter of the gas installation plus 0.5 metres on either side of the indicated location.

Installation in vicinity of underground structure

24. (1) Except where permitted in writing by the Commission, no person shall install or allow to be installed a gas installation where it passes through or interferes with an underground structure that is not used solely for a gas installation.

(2) Except where permitted in writing by the Commission, no person shall install or construct an underground structure that interferes with a gas installation by passing over, under or enclosing the gas installation until an agreement has been entered into with the licensee for the removal or alteration of the gas installation.

Notice to licensee

25. A person who intends to construct an underground structure within one meter

of a gas installation shall notify the licensee operating in the area or his agent in writing in not less than three working days before commencing excavation for the structure.

Request for information from licensee or agent on location of gas installation

26. A person who intends to excavate shall, in not less than four working days prior to the day of the proposed excavation, request in writing from the licensee or his agent who is operating in the area for an information on the location of the underground gas installation in the vicinity of the proposed excavation.

Information from licensee or agent on location of gas installation

27. (1) Upon a request made under regulation 26, the licensee or his agent shall indicate the location of the gas installation owned, operated or registered by the licensee or his agent in the area where the excavation is intended to be made.

(2) The licensee or his agent shall provide the information requested under subregulation (1) twenty-four hours prior to the day of the proposed excavation.

Not to commence excavation work until information is received

- 28.** (1) No person shall commence an excavation work until he ascertains that —
- (a) the request for information under regulation 26 has been made; and
 - (b) the information on the location of gas installation under regulation 27 has been given.

Duty to notify licensee on intention to excavate

29. Where a person who intends to carry out excavation work is aware that a gas installation is in the vicinity of the proposed place of excavation, he shall notify the licensee or his agent in the area in not less than three working days before commencing excavation.

Supervision on excavation work

30. Excavation work in the vicinity of a gas installation shall be carried out under the supervision of the relevant competent person in accordance with the class of the gas installation.

Hand digging to confirm location

31. The indicated location of a gas installation shall be confirmed by the excavator by means of hand digging and he shall expose the gas installation at a sufficient number of locations to determine its exact position and depth before using mechanised excavation equipment for any purpose other than breaking the surface cover.

Probing with pointed tools prohibited

32. No person shall probe into the earth by using pointed tools in order to locate a gas installation.

Gas installation not within the zone prescribed

33. (1) Where an excavator finds that the gas installation is not within the zone prescribed under regulation 23, he shall so notify the licensee or his agent of that fact.

(2) The licensee or his agent shall, upon being notified under subregulation (1), assist the excavator to locate and expose the gas installation and shall prohibit mechanised excavation to be carried out in the vicinity until the gas installation has been located and exposed.

Non-metallic gas installation without tracer wire

34. In a case where the existing gas installation of non-metallic material is not provided with tracer wires, the licensee or his agent shall, upon request, indicate or cause to be indicated the location of the gas installation including all changes in the direction by using stakes or paint or both at intervals of not exceeding 100 metres and regulation 31 shall apply.

Excavator shall maintain markings

35. (1) It shall not be the responsibility of the excavator, as the work progresses, to maintain and keep visible the markings placed by the licensee or his agent to identify the location of the gas installation.

(2) Where the maintenance under subregulation (1) is not feasible, the excavator shall make other arrangements to ensure that the location of the gas installation is otherwise noticeable by a person.

Prohibition on excavation work which is damaging to gas installation

36. No person shall carry out an excavation work or cause an excavation work to be carried out in a manner which is damaging or dangerous to a gas installation.

Blasting

37. (1) A person who intends to blast in the vicinity of a gas installation shall comply with provisions of regulations 25 to 35 and shall, in addition, notify the relevant licensee or his agent in writing of his intention to blast in not less than three working days prior to the blasting.

(2) Where a person, whilst in the process of construction, discovers that blasting is required, he shall submit a notice in writing to the Commission in not less one working day before carrying out the blasting.

Verification of information

38. Where an excavation work is not commenced within ten days from the date the information under regulation 27 is given by the licensee, the excavator shall verify the information with the licensee or his agent before commencing excavation.

Emergency excavations

39. Regulations 24 to 37 shall not apply to an emergency excavation where there

may be imminent danger to life, health or property provided that verbal notice of the excavation is given to the relevant licensee or its agent as soon as is practicable, and the notice shall subsequently be reduced into writing.

Power of authorized officer to stop excavation

40. (1) An authorized officer may at any time order a person to stop excavating near a gas installation if he considers that the excavation may damage the gas installation or cause the leakage of gas.

(2) The authorized officer may require a licensee, installer or the owner of a gas installation to cut out or repair a gas pipeline, whether metallic or non-metallic, which is considered to be faulty.

Notification of damage

41. Any person who causes damage to a gas installation shall, whether or not gas is leaking from the installation, immediately notify the Commission or the licensee, as case may be, of the damage.

Steps to be taken when gas leaks

42. (1) Any person who causes damage to a gas installation which results in the leakage of gas shall immediately take reasonable steps to —

- (a) notify the persons in the premises or near the premises that may be affected by the leakage;
- (b) notify the Commission or the licensee, as the case may be;
- (c) warn all persons in the building which is near to the place where the leakage occurs and where gas odour is present to evacuate the building;
- (d) notify the nearest police station;
- (e) extinguish all flames and sources of ignition in the vicinity of the gas installation;
- (f) notify the Fire Services Department; and

- (g) warn the traffic, vehicles or pedestrian in the vicinity not to enter the area which has been rendered hazardous by the leakage.

Exposure of installation

43. A person who exposes a gas installation for more than 3 metres whilst carrying out an excavation work shall immediately notify the Commission or the licensee, as the case may be, and shall after that support the gas installation securely on its original line and grade at the intervals of not more than 3 metres to the satisfaction of the Commission or the licensee.

Exposure of fittings

44. A person who exposes a bell-and-spigot joint, mechanical coupling, valve or line insulator whilst carrying out an excavation work shall —

- (a) immediately notify the Commission or the licensee, as the case may be, of the exposed fitting; and
- (b) support the exposed fitting adequately to the satisfaction of the Commission or the licensee to ensure that no strain is caused to the gas installation.

Cathodic protection devices

45. (1) A person working in the vicinity of a gas installation shall take all necessary precautions to ensure that no damage is done to insulators, test wires, sacrificial anodes, anodes beds, rectifier wires and other cathodic protection devices.

(2) Where damage is done to a cathodic protection device the person causing the damage shall report the damage to the Commission or the licensee, as soon as possible.

Damage to protective wrapping

46. A person who damages the protective wrapping on a gas installation shall —

- (a) report the damage to the Commission or the licensee; and
- (b) rectify the damage by rewrapping the gas installation in accordance with

the manner as may determined by the Commission but the rewrapped gas installation shall not be backfilled until authorized by the Commission or the licensee.

Backfilling

47. A person who is backfilling an excavation which exposed a gas installation shall —

- (a) take precaution so as not to damage the gas installation, its protective wrapping or a cathodic protection device;
- (b) thoroughly tamp the backfill under the gas installation;
- (c) support the gas installation adequately to the satisfaction of the Commission or the licensee to ensure that it will remain in its original line and grade during the backfilling; and
- (d) ensure that the backfilling will not diminish the lateral support of an unexposed gas installation.

Gas pipeline to be above ground level when entering building

48. Except where circumstances render it impracticable, a service gas pipeline shall be installed above the ground level before the pipeline enters a building or structure.

No work on a gas installation until gas is turned off

49. No person shall install or alter a gas installation where there is a possibility of leakage of gas unless the gas is turned off to eliminate hazards caused by a leakage of gas.

Turning on and turning off supply

50. (1) Except for emergency purposes, no person shall turn off the gas supply unless all affected consumers are notified.

(2) Where the supply has been turned off, no person shall turn it on again until

he notifies all the affected consumers of his intention and carefully checks all the outlet and pilots to ascertain whether the supply is turned on or turned off.

Rented premises

51. The owner of rented premises shall —

- (a) display a notice on the safe operation of a gas appliance on the premises in a place which is noticeable to a tenant, an occupier or other person using the gas appliance; and
- (b) ensure that the gas appliance is maintained in a safe condition.

Odorization

52. (1) A gas which does not naturally possess a distinctive odour shall have an odourant added to it so that its presence in the atmosphere is readily detectable at a gas concentration of 1/5 of the lower explosive limit or above.

(2) Subregulation (1) does not apply to any gas delivered for further processing or where the odourant would not act as a warning agent.

Installation of gas pipeline, etc.

53. (1) Every installation of a gas pipeline shall be made in accordance with these Regulations and in a manner as may be determined by the Commission.

(2) No person shall install a gas pipeline, gas fitting or gas equipment in a place where it is likely to be exposed to a substance which may corrode the gas pipeline, gas fitting or gas equipment unless the gas pipeline, gas fitting or gas equipment is constructed from materials resistant to being corroded or it is suitably protected against being so corroded.

Protection against damage to gas pipeline, etc.

54. A person installing a gas pipeline, gas fitting or gas equipment shall ensure that every part of the gas pipeline, gas fitting or gas equipment is supported and protected from damage.

Alteration or work on premises not to affect existing gas pipeline

55. (1) No alteration shall be made on premises which have a gas installation unless it is made in accordance with these Regulations and in the manner as may be determined by the Commission.

(2) No person shall carry out work which would affect a gas pipeline or vent where the use of the gas pipeline may cause danger to a person or property.

Not to use gas pipeline for earth connection, etc.

56. No person shall use a gas pipeline or any part of a gas installation for earth connection or as an electrical earth-continuity conductor.

Installation of new gas installation

57. (1) A person who is installing a new gas installation shall ensure that the gas installation is tested for gas tightness.

(2) Upon compliance with subregulation (1), the person shall carry out purging by using an inert gas throughout the entire gas installation in order to remove all air or other gas mixture.

(3) If the gas installation is not to be used at once it shall be sealed off at every outlet with the appropriate fitting.

(4) A loose connection in a gas installation used in the purging procedure and seal after the purging procedure shall be retightened and shall be retested for gas tightness.

(5) Upon the commissioning of the gas installation, the gas to be supplied through the installation shall be conveyed into the entire gas installation to remove all the inert gas present in the gas pipeline.

Work on existing gas installation

58. (1) Before any work is carried out on an existing gas installation, the person intended to carry out the work shall —

- (a) submit the work procedure approved by the competent person to the Commission or the licensee, as the case may be, for final approval;
- (b) obtain a written consent to carry out work from the owner of the gas installation;
- (c) cordon the affected area and cause a reasonable number of notices displaying the words “**GAS WORK IN PROGRESS**” and “**NO SMOKING**” to be placed in conspicuous positions in the cordoned area;
- (d) have a reasonable number of suitable fire extinguishers ready to be used in the work area;
- (e) isolate the affected part of the gas installation from the unaffected parts; and
- (f) purge gas from the affected part of the gas installation and ensure that no gas remains in the installation and the surrounding area.

(2) After complying with subregulation (1) a person who is carrying out work in relation to an existing gas installation shall ensure that —

- (a) the work is carried out only on the gas installation within the cordoned area;
- (b) only authorized personnel is allowed to be within the cordoned area;
- (c) the work is carried out in accordance with the work procedure that has been approved; and
- (d) the workers are provided with the necessary personal protective equipment.

(3) After the work has been carried out, the person installing the gas installation shall —

- (a) ensure that the gas installation is tested for gas tightness;
- (b) purge the affected gas installation by using inert gas; and
- (c) ensure the subregulations 57(3), (4) and (5) are complied with.

Marking of gas pipeline for identification

59. (1) A person installing a gas pipeline shall mark the gas pipeline in the manner as prescribed in Figure 4 of the Fourth Schedule so that upon inspection the gas pipeline is identifiable as a gas pipeline for conveying gas.

(2) The responsible person or his representative shall ensure that the gas pipeline continues to be identifiable as long as it is used for conveying gas.

Duties of responsible person or his representative where there is an escape of gas

60. (1) If the responsible person or his representative knows or has reason to suspect that gas is escaping into the premises, he shall immediately take all reasonable steps to cause the supply of gas to be shut off at the necessary place to prevent further escape of gas.

(2) If gas continues to escape into the premises after the supply of gas has been shut off or when a smell of gas persists, the responsible person or his representative who discovers the escape or smell shall immediately inform or cause to be informed the Commission or the licensee of the escape or smell.

Shutting off gas supply for safety reasons

61. (1) Where the supply of gas is shut off in any premises for safety reasons, it shall not be restored until all necessary steps are taken by the responsible person or his representative to ensure that gas can be resupplied without causing danger to a person or property.

(2) Rectification work on the supply of gas shall be carried out by a competent person or any other person with the supervision of a competent person.

PART IV
OPERATION

Connection for the Supply of Gas to Consumer

Requirements to be complied with before connection

- 62.** No gas shall be taken from the gas main pipe until —
- (a) an agreement or a special agreement for the supply of gas has been entered into between the parties;
 - (b) the gas installation connected to the gas main pipe has been inspected, tested and found to be safe by a competent person registered with the Commission; and
 - (c) all expenses payable under the Enactment or these Regulations in respect of the supply of gas or gas installation have been paid.

Security

63. (1) The licensee may require a consumer to deposit a reasonable amount of security within seven days from the date of notice of demand issued by the licensee, which sum shall be sufficient to cover the estimated charges for not more than two months' supply of gas and two months' rental of gas pipeline or gas installation, if any, and the amount of security may be altered with the approval of the Commission.

(2) The security shall not constitute a payment in advance and shall not relieve the consumer from any liability under regulation 66.

(3) Where the supply of gas to the consumer's gas installation has been disconnected due to the consumer's failure to make payment of the amount due as stated in the gas bill, the licensee may deduct from the security the amount of the bill together with the charges for gas supplied and rental of gas pipeline or gas installation, if any, from the date of such bill to the date of disconnection of the consumer's gas installation.

Refund of security

64. (1) The licensee shall refund to the consumer the full amount of security which has been deposited by the consumer in compliance with regulation 63 provided that —

- (a) the consumer has vacated the premises and all the accrued charges have been paid in accordance with regulation 68; or
- (b) the supply of gas to the consumer has been stopped or disconnected and all accrued charges have been paid.

(2) The refund shall be made to the consumer within a period of two months after the date of the vacation of the premises or the date the supply of gas has been stopped or disconnected.

Recovery of charges

65. The licensee may recover from a consumer the charges due to him in respect of the supply of gas or in respect of the supply and fixing of a gas meter, gas pipeline or gas equipment.

Gas supply and reconnection fees

66. (1) A fee for the supply of gas by the licensee shall be charged to the consumer and a bill shall be sent to the consumer monthly and shall be paid within twenty-one working days from the date of the invoice.

(2) In default of the payment of the amount charged under subregulation (1) the licensee may disconnect the supply of gas without further notice.

(3) The licensee shall be entitled to impose a reconnection fee as approved by the Commission, which shall be paid in advance, for the reconnection of the gas installation to the licensee's gas pipeline.

(4) The bill referred to in subregulation (1) shall contain the amount charged and the requirements under subregulations 68(1) and (2).

Restoration of gas supply

67. The licensee shall restore the supply of gas which has been disconnected under subregulation 66(2) within two working days from the date the following conditions are satisfied:

- (a) the consumer has made good the default under subregulation 66(2);
- (b) the consumer has paid the reconnection fee under subregulation 66(3);
and
- (c) the consumer has given the security stipulated in subsection 20(1) of the Enactment and subregulation 63(1).

Notice to vacate premises and payment of accrued charges

68. (1) The consumer shall send a notice to vacate his premises in not less than three working days before the vacation to the licensee in the form as may be determined by the licensee.

(2) If a consumer vacates his premises which are supplied with gas by a licensee without giving the notice under subregulation (1) he shall be liable to pay the licensee all the charges in respect of the supply of gas to the premises accruing up to —

- (a) the day on which the register of the meter is ascertained; or
- (b) the day from which a subsequent occupier of the premises requires the licensee to supply gas to the premises,

as the case may be.

(3) If a consumer vacates his premises without paying the amount due by way of charges in respect of the supply of gas, the licensee may refuse to supply gas to the consumer at any other premises until full payment is made.

(4) The licensee shall not be entitled to recover payment of the amount referred to under subregulation (3) from the subsequent occupier of the premises.

(5) If a consumer vacates his premises without paying the money due in respect of the supply of gas by the licensee or in respect of the supply and fixing of a meter, gas pipeline or gas equipment within a period of ten working days from the date of

the demand in writing by the licensee for the payment of the money, the licensee may —

- (a) cease the supply of gas to the premises, or to any other premises occupied by the consumer, by the appropriate means as he thinks fit; and
- (b) recover any expenses incurred under paragraph (a) from the consumer.

Power of authorized officer to disconnect the supply of gas and refusal to connect

69. (1) The authorized officer shall immediately disconnect the supply of gas upon knowing or upon being informed that a gas installation is unsafe for use.

(2) The authorized officer may refuse to connect a gas installation or any of it to the gas main pipe if, in his opinion, the installation or any part of it is unsafe for use or does not comply with these Regulations.

Power of licensee to disconnect

70. Where a gas installation is connected to the licensee's gas main pipe, or the replacement of, addition or alteration to a gas installation is made, in contravention of the Enactment or these Regulations, the licensee may, upon giving not less than twenty-four hours notice to the consumer, disconnect the supply of gas from the gas installation.

Inspection and Test of Gas Installation

Entry into premises to inspect, etc., gas installation, etc.

71. A person authorized by a licensee may, at all reasonable times, on the production of a duly authenticated document of his authority, enter into premises which are supplied with gas by the licensee or by another licensee (whether wholly or partly) through the first-mentioned licensee's gas pipeline or gas installation, for any of the following purposes:

- (a) to inspect a gas pipeline or gas installation belonging to the licensee;
- (b) to ascertain the register of a meter;
- (c) to remove or inspect a meter or to install a new meter; or
- (d) in case of an emergency.

Entry to disconnect, etc., supply of gas, etc.

72. A person authorized by a licensee may, at all reasonable times, on the production of a duly authenticated document of his authority, enter into premises which are supplied with gas by the licensee or by another licensee (whether wholly or partly) through the first-mentioned licensee's gas pipeline or gas installation, for the purpose of disconnecting the supply of gas or removing a gas fitting, gas pipeline or meter in the premises but shall be subject to the following conditions:

- (a) the entry is made in order to cut off or discontinue the supply of gas to the premises as authorized under the Enactment;
- (b) the entry is made on order to remove the meter in respect of which an offence has been committed under the Enactment or the regulations made thereunder;
- (c) the person occupying the premises ceases to require the supply of gas;
- (d) the person who enters into occupation of the premises which were previously supplied with gas does not require the supply of gas; or
- (e) the person who enters into occupation of the premises which were previously supplied with gas through a meter belonging to a licensee will not rent or borrow the meter.

Entry for replacing, etc., gas pipeline or gas installation

73. (1) A person authorized by the licensee may at all reasonable times, on the production of a duly authenticated document of his authority, enter into premises after giving notice of not less than three working days to the consumer or occupier of the premises, or to the owner of the premises which are unoccupied for the purpose of —

- (a) placing a new gas pipeline, gas fitting, gas equipment or meter in place of or in addition to an existing gas pipeline, gas fitting, gas equipment or meter which has already been lawfully placed; or
- (b) repairing or altering an existing gas pipeline or gas equipment.

(2) In the case of an emergency arising from fault in a gas pipeline or gas installation, entry under subregulation (1) may be made without giving notice.

Powers of entry

74. (1) A person authorized by a licensee to enter any premises shall ensure that the premises are left secured after the entry.

(2) The licensee shall make good, or pay compensation for, any damage caused by the person so authorized or by the person accompanying him in entering the premises.

(3) A person authorized by a licensee to enter any premises may be accompanied by such persons as may be appropriate for the purpose for which the entry is made.

Fixing of meter, changing of meter position and loss of or damage to meter

75. (1) For the purposes of section 23 of the Enactment, the licensee shall provide and fix a meter as it considers necessary in order to measure the amount of gas supplied to a consumer.

(2) Where an additional meter is installed by the licensee at the request of the consumer, the consumer shall pay the charges at the rate which is approved by the Commission.

(3) The licensee may change a meter or its position in the premises in which gas is supplied by him.

(4) The consumer shall be liable to indemnify the licensee for the loss of or damage to a meter installed within his premises.

Reading of meter

76. (1) The reading of a meter shall be *prima facie* evidence of the amount of gas consumed by the consumer.

(2) However, if —

- (a) the supply of gas registered by the meter at any time is not equal to the gas consumed; or
- (b) the meter is not registering the actual consumption due to a defect in the installation,

the licensee may impose a provisional charge for the gas supplied.

(3) If the licensee is unable to provide a meter for a gas installation due to the shortage of a supply of a meter, the licensee may, with the approval of the Commission, fix a monthly charge for the supply of gas.

Test of meter

77. (1) The licensee shall have the meter tested upon request in writing by the consumer and upon tendering the fee as may be determined by the licensee.

(2) The test under subregulation (1) shall be made by the licensee as soon as practicable upon receipt of the request and upon payment of the fee to the licensee and the consumer may be present during the test.

(3) If —

- (a) the gas meter is found to be inaccurate by more than two percent; or
- (b) the gas meter is found to be registering the consumption of gas when no gas is flowing,

the fee shall be refunded and the consumer's account shall be adjusted.

(4) The adjustment under subregulation (3) shall be limited to the bill rendered for the month prior to the month in which the consumer requested a test of the meter and to the consumer's account from the date of the last bill to the date of removal of the meter for testing but the licensee may, if he considers special circumstances justify such a course, authorize adjustment of the bill rendered prior to the period stipulated in this subregulation.

(5) In the case where the licensee finds that the gas meter is not registering correctly, the consumer's account shall be adjusted as in subregulation (4).

PART V

CERTIFICATE OF COMPETENCY AND REGISTRATION

Certificate of Competency

Competent person to carry out work on gas pipeline, etc.

78. No person shall engage in or be employed in any work on a gas pipeline or gas installation unless he holds a Certificate of Competency issued under these Regulations or he works under the control of a competent person.

Competent person shall possess a valid Certificate of Competency

79. A competent person referred to in these Regulations shall hold a valid Certificate of Competency according to the appropriate category, with or without restriction, issued by the Commission under these Regulations.

Certificate of Competency and scope of work of competent person

80. (1) The Certificate of Competency as a Gas Engineer, Gas Engineering Supervisor and Gas Fitter of Class I, Class II and Class III, shall be signed by the Commission and shall be as prescribed in Forms F and G of the First Schedule, as the case may be.

(2) A Certificate of Competency shall entitle the holder to —

- (a) carry out work on a gas pipeline or gas installation in any premises; and
- (b) personally supervise a gas installation work.

(3) The scope of work of a competent person is as prescribed in Table 2 of the Second Schedule.

Medical evidence of fitness

81. The Commission may require medical evidence of physical and mental fitness, certified by a registered medical practitioner, to be produced by a person before a Certificate of Competency is issued or before registration or renewal of registration is made.

Power of the Commission to modify, suspend or cancel a Certificate of Competency

82. The Commission may, if it thinks fit, modify, suspend or cancel a Certificate of Competency issued under these Regulations if the holder of the Certificate obtains the Certificate by making or causing to be made a false or fraudulent declaration, certification or representation, either in writing or otherwise.

Modification, suspension or cancellation of Certificate of Competency

83. (1) Notwithstanding regulation 82, the Commission may, in its discretion, modify, suspend or cancel a Certificate of Competency issued under these Regulations in the case of serious misconduct by the holder of the Certificate of Competency or where an offence has been committed under the Enactment or these Regulations.

(2) For the purpose of subregulation (1), "serious misconduct" means one or more of the following:

- (a) sleeping while on duty;
- (b) causing damage to equipment by careless operation;
- (c) causing danger to life by careless operation;
- (d) causing damage to equipment by neglecting to use safety devices provided;
- (e) causing danger to life by neglecting to use safety devices provided;
- (f) being under the influence of alcohol or drugs or both whilst on duty;
- (g) making or causing to be made a false or fraudulent declaration, certification or representation, either in writing or otherwise; and
- (h) failing to carry out diligently the duties as prescribed in these Regulations.

(3) When an authorized officer has reason to believe that a person who holds a Certificate of Competency has committed an offence under the Enactment or these Regulations or any serious misconduct under these Regulations and is no longer fit to hold the Certificate of Competency, he shall forthwith suspend the Certificate and shall refer the matter within seven days from the date of suspension to the Commission.

(4) Upon receipt of the matter referred to him under subregulation (3), the Commission shall, within seven days, appoint a Committee consisting of the Chairman as his representative and two other authorized officers to be nominated by the Commission to enquire into the alleged offence or misconduct referred by the authorized officer.

(5) The alleged offender shall be given the opportunity to defend himself against such alleged offence or misconduct before the Committee.

(6) The Committee shall, within fourteen days, forward its findings and recommendations to the Commission who shall decide whether to modify or to suspend for any period of time or to cancel the Certificate of Competency.

(7) A person who is aggrieved by the decision of the Commission under subregulation (6) may apply to the Minister for a reconsideration of the matter.

(8) The application under subregulation (7) shall be made in writing within twenty-one days from the date of the decision of the Commission and shall contain the grounds of grievance.

(9) The decision of the Minister on the matter referred to him under subregulation (7) shall be final.

Person not to work, etc., when Certificate of Competency is suspended or cancelled

84. A person, whose Certificate of Competency has been suspended or cancelled, as the case may be, shall not, during the period of the suspension or upon cancellation, do any work or act which a holder of a Certificate of Competency is allowed to do.

Loss or damage of Certificate of Competency

85. (1) If a Certificate of Competency issued by the Commission is lost, stolen, destroyed, mutilated or defaced, a replacement of the Certificate may be issued by the Commission on production of a statutory declaration by the holder that the original Certificate has been lost, stolen or destroyed or upon surrender of the mutilated or defaced original Certificate.

(2) The fee for replacement of Certificate of Competency is as prescribed in Part II of the Third Schedule.

Registration of Competent Person

Registration of competent person

86. (1) A person who holds a Certificate of Competency and who does work or any act in relation to the Certificate shall be registered with the Commission, in the manner as the Commission may determine.

(2) The registration under subregulation (1) shall be valid for a period of twelve months and shall be renewed annually subject to the payment of fees as prescribed in Part II of the Third Schedule.

(3) A person who holds a Certificate of Competency shall not do any work or act which a holder of a Certificate of Competency is allowed to do if he is more than 65 years of age.

(4) Notwithstanding subregulation (3), the age limit of a person may be waived on a year to year basis at the discretion of the Commission who may require medical evidence of fitness of the person to be certified by a registered medical practitioner.

Examination of Competent Person

Panel of Examiners

87. (1) For the purpose of this Part, there shall be appointed a Panel of Examiners ("the Panel") consisting of a Chairman, a Deputy Chairman and persons as may be appointed under regulation 88.

(2) The Panel shall hold examination referred to in regulation 89 and may recommend to the Commission the issuance of the Certificate of Competency to candidates who have passed the examinations.

(3) Any matter referred to the Panel shall be considered and decided by the Chairman and at least one member of the Panel.

(4) Notwithstanding subregulation (1), (2) or (3) the Chairman may permit one member of the Panel to conduct the examination of a Gas Fitter.

Appointment of members of the Panel

88. (1) The Commission shall appoint any member of the Commission as Chairman of the Panel.

(2) The Chairman of the Panel shall appoint —

- (a) an authorized officer as Deputy Chairman; and
- (b) at least two authorized officers, to be the members of the Panel.

(3) The Commission may appoint a senior engineer from a relevant Government Department to be a member of the Panel.

(4) The members of the Panel shall hold office for a term as may be determined by the Commission.

Examinations

89. (1) The Panel shall hold the following examinations:

- (a) Gas Engineer examination;
- (b) Gas Engineering Supervisor examination;
- (c) Class I Gas Fitter examination;
- (d) Class II Gas Fitter examination; and
- (e) Class III Gas Fitter examination.

(2) A Certificate of Competency awarded to a successful candidate of the examinations in subregulation (1) shall be in Forms F and G as prescribed in the First Schedule.

(3) The Certificate of Competency shall remain valid until suspended or cancelled under the Enactment or these Regulations.

(4) A holder of a Certificate of Competency shall surrender the Certificate to the Commission for cancellation upon the issuance of a Certificate of Competency of a higher grade for the same category of work.

Conduct of examination

90. An examination shall be conducted in accordance with the directions given by the Commission.

Fee for examination for Certificate of Competency

91. The processing fee for an application for examination and the fee for an examination for a Certificate of Competency shall be as prescribed in Part II of the Third Schedule.

Application to sit for examination

92. (1) Any application to sit for an examination shall be made in writing in the manner as may be determined by the Panel.

(2) An application under subregulation (1) shall be considered by the Panel who shall decide whether or not the applicant is eligible to sit for the examination and the Panel shall notify the applicant of its decision.

Failure in examination

93. Where a candidate fails in an examination, the Panel may, in its discretion, refuse to grant permission to the candidate to sit for the examination again until the expiry of a period not exceeding six months as the Panel may deem appropriate.

Certificate of Competency as a Gas Engineer And Gas Engineering Supervisor

Eligibility to become a Gas Engineer

94. (1) In order to be considered eligible to sit for the examination for a Certificate of Competency as a Gas Engineer, a person shall satisfy the Panel that he complies with the following conditions:

- (a) that he is a Malaysian citizen;
- (b) that he holds a degree or qualification equivalent to a degree in gas,

mechanical, civil, chemical, petroleum, fuel, electrical, mining, industrial or production engineering from a recognised university or institution or any engineering degree recognised by the Commission;

- (c) that he is a Professional Engineer registered with the Board of Engineers under the Registration of Engineers Act 1967;
- (d) that he has not less than two years working experience in gas pipeline or gas installation work;
- (e) that he is able to speak and write in the national language; and
- (f) any other conditions as the Panel deems necessary.

(2) Before a Certificate of Competency as a Gas Engineer is issued to a person, he shall satisfy the Panel —

- (a) that he has sufficient knowledge of gas engineering practices including the principles of operation of the equipment used for production, transmission, distribution, utilisation, metering and maintenance of a gas pipeline or gas installation; and
- (b) that he has sufficient knowledge of the Enactment and the regulations made thereunder.

(3) The examination for a Certificate of Competency as a Gas Engineer shall be based on a syllabus to be determined by the Panel and shall be partly by written answers to questions set and partly by *viva voce*.

(4) Notwithstanding subregulation (1) or (3), the Panel may, in its discretion, exempt a person from any or all of the requirements necessary for the examination.

Eligibility to become a Gas Engineering Supervisor

95. (1) In order to be considered eligible to sit for the examination for Certificate of Competency as a Gas Engineering Supervisor, a person shall satisfy the Panel that he complies with the following conditions:

- (a) that he is a Malaysian citizen;
- (b) that he holds a degree or diploma in gas, mechanical, civil, chemical, petroleum, fuel, electrical, mining, industrial or production engineering from a recognised university or institution

or any engineering degree or diploma recognised by the Commission;

- (c) that he has not less than two years working experience in gas pipeline or gas installation work;
- (d) that he is able to speak and write in the national language; and
- (e) any other conditions as the Panel deems necessary.

(2) Before a Certificate of Competency as a Gas Engineering Supervisor is issued to a person, he shall satisfy the Panel that —

- (a) he has sufficient knowledge of gas engineering practices, including the principles of operation of the equipment used for production, transmission, distribution, utilisation, metering and maintenance of a gas pipeline or gas installation; and
- (b) he has sufficient knowledge of the Enactment and the regulations made thereunder.

(3) The examination for a Certificate of Competency as a Gas Engineering Supervisor shall be based on a syllabus to be determined by the Panel and shall be partly by written answers to questions set and partly by *viva voce*.

(4) The examination for Certificate of Competency as a Gas Engineering Supervisor referred to in subregulation (3) shall be conducted by the Panel.

(5) Notwithstanding subregulation (1) or (3), the Panel may, in its discretion, exempt a person from any or all of the requirements necessary for the examination.

Certificate of Competency as a Gas Fitter

Eligibility to become a Gas Fitter

96. (1) In order to be considered eligible to sit for the examination for a Certificate of Competency as a Class III Gas Fitter, a person shall satisfy the Panel that he complies with the following conditions:

- (a) that he is a Malaysian citizen;
- (b) that he is not less than 18 years of age;
- (c) that he has suitable educational qualification as may be determined

by the Panel;

- (d) that he has one year working experience in gas pipeline or gas installation work with a Gas Contractor or in a recognised academic institution or Government Department or agency;
- (e) that he is able to speak and write in the national language; and
- (f) any other conditions as the Panel deems necessary.

(2) A person applying to sit for the examination as a Class II Gas Fitter shall fulfill the following conditions:

- (a) he is a holder of a Certificate of Competency as a Class III Gas Fitter or any equivalent Certificate of Competency; and
- (b) he has the working experience as an assistant to a Gas Engineer, Gas Engineering Supervisor or Class I or II Gas Fitter by maintaining, operating or controlling a gas pipeline or gas installation for a period of two years whilst holding a Certificate referred to in paragraph (a).

(3) A person applying to sit for the examination as a Class I Gas Fitter shall fulfill the following conditions:

- (a) he is a holder of a Certificate of Competency as a Class II Gas Fitter or any equivalent Certificate of Competency; and
- (b) he has the working experience as an assistant to a Gas Engineer, Gas Engineering Supervisor or Class I or II Gas Fitter by maintaining, operating or controlling a gas pipeline or gas installation for a period of one year whilst holding a Certificate referred to in paragraph (a).

(4) Before a Certificate of Competency as a Gas Fitter of any class is issued to a person, he shall satisfy the Panel —

- (a) that he has sufficient knowledge and practical skill in gas pipeline or gas installation work; and
- (b) that he has sufficient knowledge of the Enactment and the regulations made thereunder.

(5) The examination for a Certificate of Competency as a Gas Fitter shall be based on a syllabus to be determined by the Panel and shall be partly by written answers

to questions set and partly by *viva voce* and may include any practical test as the Panel deems necessary.

(6) Notwithstanding subregulation (1) or (5), the Panel may, in its discretion, exempt a person from any or all of the requirements necessary for the examination.

Issuance, restriction or endorsement of Certificate of Competency by Panel

97. The Panel may in its discretion —

- (a) issue a Certificate of Competency as a Gas Fitter to a person who has passed the examination under regulation 96;
- (b) restrict the use of a Certificate of Competency to a type, class, duration or location of installation;
- (c) endorse a Certificate of Competency to permit the holder to test and certify a gas installation on the condition that he has shown sufficient knowledge and experience in carrying out such work to the satisfaction of the Panel;
- (d) impose any other endorsement on a Certificate of Competency issued under these Regulations as the Panel deems necessary; and
- (e) impose a fee payable for the removal of any restriction or endorsement on a Certificate of Competency as prescribed in Part II of the Third Schedule.

Temporary registration of foreign person

98. (1) Subject to these Regulations and the conditions as the Panel may think fit to impose, the Panel may, upon payment of the fee prescribed in Part II of the Third Schedule, issue a temporary Certificate of Competency to a foreign person.

(2) A foreign person may be considered for the issuance of the temporary Certificate of Competency if he satisfies the Panel —

- (a) that he possesses the necessary qualification and skill which is recognised for the practice of gas engineering in the country where he normally practises;
- (b) that he possesses the necessary expertise and his physical presence is required in Malaysia; and

(c) that he has the necessary work permit issued by the relevant authority.

(3) Notwithstanding subregulation (2), before a person may be considered for the purpose of temporary registration as a Gas Engineer, he shall be registered temporarily as a Professional Engineer with the Board of Engineers under the Registration of Engineers Act 1967.

(4) The Commission may issue a temporary Certificate of Competency for a period not exceeding twelve months.

(5) A foreign person whose Certificate of Competency has expired may apply for renewal subject to the provisions of these Regulations and the Commission may renew the Certificate as he deems fit.

(6) For the purpose of these Regulations, "foreign person" means a person who is not a citizen or a permanent resident of Malaysia.

Endorsement of equivalent Certificate of Competency by Panel

99. (1) The Panel may, in its discretion, exempt from the whole or part of the examination, any candidate who is a resident of Malaysia and who is the holder of a Certificate of Competency which, in the opinion of the Panel, is equivalent to the corresponding Certificate issued under these Regulations.

(2) The person under subregulation (1) may be recommended to be issued an appropriate Certificate of Competency upon payment of the fee as prescribed in Part II of the Third Schedule.

(3) The Panel may, in its discretion, exempt a candidate who is a resident of Malaysia from an examination for a Gas Engineer's Certificate of Competency if —

- (a) he is a holder of a Certificate of Competency which, in the opinion of the Panel, is equivalent to the relevant Certificate issued under these Regulations; and
- (b) he is able to satisfy the conditions as stipulated in subregulation 94(2).

(4) The Commission shall, on payment of the prescribed fee, grant the relevant Certificate of Competency to a candidate exempted from the examination under subregulation (2).

Registration of Gas Contractor

Gas Contractor

100. (1) No person shall perform or carry out any work in respect of installing, constructing, testing, commissioning, calibrating, maintaining, repairing or operating a gas pipeline or gas installation or part of it unless he holds a valid Certificate of Registration as a Gas Contractor issued under these Regulations.

(2) The Certificate of Registration as a Gas Contractor shall be as prescribed in Form H of the First Schedule and shall be valid for twelve months from the date of issue or its renewal.

Classification of Gas Contractor and scope of work

101. (1) A Gas Contractor registered under these Regulations shall be classified into the following classes —

- (a) Class A Gas Contractor;
- (b) Class B Gas Contractor;
- (c) Class C Gas Contractor; or
- (d) Class D Gas Contractor.

(2) The scope of work of the various classes of Gas Contractors is as prescribed in Table 3 of the Second Schedule.

Class A Gas Contractor

102. (1) A Class A Gas Contractor shall have under his employment at least a Gas Engineer or a Gas Engineering Supervisor and a Class I Gas Fitter who are employed on a full time basis by the Gas Contractor.

(2) A Class A Gas Contractor may undertake to design, install, modify, test, commission and maintain the classes of gas installations as prescribed in Table 3 of the Second Schedule.

(3) Any work done by a Class A Gas Contractor shall be in accordance with the competency of the competent person employed.

(4) The scope of work of the competent person employed by a Class A Gas Contractor is as prescribed in Table 2 of the Second Schedule.

Class B Gas Contractor

103. (1) A Class B Gas Contractor shall have under his employment at least a Class I Gas Fitter who is employed on a full time basis by the Gas Contractor.

(2) A Class B Gas Contractor may undertake to design, install, modify, test, commission and maintain the classes of gas installations as prescribed in Table 3 of the Second Schedule.

(3) Any work done by a Class B Gas Contractor shall be in accordance with the competency of the competent person employed.

(4) The scope of work of the competent person employed by a Class B Gas Contractor is as prescribed in Table 2 of the Second Schedule.

Class C Gas Contractor

104. (1) A Class C Gas Contractor shall have under his employment at least a Class II Gas Fitter who is employed on a full time basis by the Gas Contractor.

(2) A Class C Gas Contractor may undertake to design, install, modify, test, commission and maintain the classes of gas installations as prescribed in Table 3 of the Second Schedule.

(3) Any work done by a Class C Gas Contractor shall be in accordance with the competency of the competent person employed.

(4) The scope of work of the competent person employed by a Class C Gas Contractor is as prescribed in Table 2 of the Second Schedule.

Class D Gas Contractor

105. (1) Class D Gas Contractor shall have under his employment at least a Class III Gas Fitter who is employed on a full time basis by the Gas Contractor.

(2) A Class D Gas Contractor may maintain and repair a Class III gas installation as prescribed in Table 3 of the Second Schedule.

(3) Any work done by a Class D Gas Contractor shall be in accordance with the competency of the competent person employed.

(4) The scope of work of the competent person employed by a Class D Gas Contractor is as prescribed in Table 2 of the Second Schedule.

Requirements for registration as a Gas Contractor

106. No Certificate of Registration as a Gas Contractor shall be issued or renewed unless the Commission is satisfied that —

- (a) the person has registered his business with the Registrar of Business or Registrar of Companies, as the case may be;
- (b) the person employs, on a full time basis, competent person as specified under subregulations 102(1), 103(1), 104(1) and 105(1) as prescribed in Table 4 of the Second Schedule;
- (c) the person has an insurance coverage for his employees under the Employees Social Security Act 1969; and
- (d) the person is in possession of suitable equipment, testing equipment and instruments related to his work as determined by the Commission.

Information required for registration as a Gas Contractor

107. Before issuing or renewing a Certificate of Registration as a Gas Contractor, the Commission shall require the person to submit the following information —

- (a) the names and addresses of all partners in the case of registered partnership, and of all directors, managers and shareholders in the case of registered company;

- (b) the premises rented or owned for carrying on the business; and
- (c) any other information as the Commission deems necessary.

Fees for Certificate of Registration as a Gas Contractor

108. A fee shall be paid for a Certificate of Registration as a Gas Contractor and its renewal at the rate as prescribed in Part II of the Third Schedule.

Renewal of Certificate of Registration

109. The renewal of a Certificate of Registration as a Gas Contractor shall be made in not less than two months before the date of expiry of the Certificate.

Transfer of Certificate of Registration

110. (1) No Certificate of Registration shall be transferred by the holder of the Certificate unless with the written permission of the Commission.

(2) The holder of a Certificate of Registration shall obtain approval from the Commission in writing of any change of name or address in connection with the business and the Certificate shall be amended or replaced accordingly free of charge.

Cancellation of Certificate of Registration

111. (1) The Commission may cancel a Certificate of Registration of a Gas Contractor if —

- (a) the holder of the Certificate ceases to carry on the business in respect of which he is registered;
- (b) the holder of the Certificate has been adjudicated a bankrupt;
- (c) the company goes into liquidation; or
- (d) the holder of the Certificate or his servant or agent contravenes or fails to comply with the Enactment or these Regulations.

(2) Where a Certificate of Registration is cancelled by the Commission pursuant to subregulation (1), the Certificate shall be returned to the Commission by the

person to whom the Certificate is issued within fourteen days of the notification in writing of the cancellation.

Replacement of Certificate of Registration of Gas Contractor

112. (1) If a Certificate of Registration of a Gas Contractor issued by the Commission is lost, stolen, destroyed, mutilated, or defaced, a replacement of the Certificate may be issued by the Commission on production of a statutory declaration by the holder that the original Certificate has been lost, stolen or destroyed or upon surrender of the mutilated or defaced original Certificate.

(2) The fee for the replacement certificate issued under subregulation (1) is as prescribed in Part II of the Third Schedule.

Removal and reinstatement of Gas Contractor

113. (1) The name and other particulars of a person who is registered as a Gas Contractor shall be removed from the Register if —

- (a) the person fails to renew his registration on the date of its expiry; or
- (b) his registration has been cancelled under these Regulations.

(2) A person whose name has been removed from the Register under subregulation (1) may appeal within thirty days of the removal from the Register for reinstatement and the Commission may, upon receipt of satisfactory evidence or reasons for his reinstatement, register him again.

(3) A person who feels aggrieved by the decision of the Commission not to reinstate him, may apply to the Minister for reconsideration of the matter.

(4) The application under subregulation (3) shall be made in writing within twenty one days from the date of the decision of the Commission against reinstatement and shall contain the grounds of grievance.

(5) The decision of the Minister on the matter referred to him under subregulation (3) shall be final.

(6) Upon reinstatement, a fee as prescribed in Part II of the Third Schedule shall be paid by the person referred to in subregulation (2) and the registration shall be valid for twelve months from the date of expiry of the registration.

Gas Fittings, Gas Appliances and Gas Equipment

Certificate of Approval for assembler, manufacturer or importer of gas fittings, gas appliances and gas equipment

114. (1) No person shall assemble or manufacture, or import a gas fitting, gas appliance or gas equipment without getting the approval of the Commission.

(2) A Certificate of Approval to assemble or to manufacture, or import a gas fitting, gas appliance or gas equipment shall be as prescribed in Forms I and J of the First Schedule respectively.

(3) The Certificate of Approval under subregulation (2) shall be valid for a period of twelve months from the date stated in the Certificate and may be renewed not later than two months before the date of its expiry.

Test and certification of gas fittings, gas appliances or gas equipment before assembly, etc.

115. (1) No gas fitting, gas appliance or gas equipment shall be assembled, manufactured, imported, sold or used unless it has been tested and certified and approved by the Government or its agent or a person accredited by the Government.

(2) A Certificate of Approval for a gas fitting, gas appliance or gas equipment shall be as prescribed in Form K of the First Schedule.

(3) The Certificate of Approval under subregulation (2) shall be valid for a period of twelve months from the date stated in the Certificate and may be renewed not later than two months before the date of its expiry.

Fee for Certificate of Approval

116. (1) A fee shall be paid for the issuance and renewal of a Certificate of Approval referred to in subregulations 114(2) and 115(2) at the rate as prescribed in Part II of the Third Schedule.

(2) If a Certificate of Approval issued by the Commission is lost, stolen, destroyed, mutilated, or defaced, a replacement of the Certificate may be issued

by the Commission on production of a statutory declaration by the holder that the original Certificate has been lost, stolen or destroyed or upon surrender of the mutilated or defaced original Certificate.

(3) The fee for the replacement certificate issued under subregulation (2) is as prescribed in Part II of the Third Schedule.

Marking or labeling of approved gas fittings, gas appliances or gas equipment

117. (1) Where a gas fitting, gas appliance or gas equipment has been approved for use or sale by the Commission, the person to whom a Certificate of Approval has been issued under subregulation 115(2) shall mark the gas fitting, gas appliance or gas equipment in the manner to be determined by the Commission.

(2) Where the Commission is of the opinion that a gas fitting, gas appliance or gas equipment approved under these Regulations cannot be marked in the manner as in subregulation (1) due to the nature of the gas fitting, gas appliance or gas equipment, the Commission may allow the marking to be made on a container or a label affixed to a bundle in which the gas fitting, gas appliance or gas equipment is contained or in any other manner to be determined by the Commission.

Samples of gas fittings, gas appliances or gas equipment to be delivered to the Commission

118. (1) An application for a Certificate of Approval of a gas fitting or gas appliance or gas equipment under subregulation 115(2) shall be made to the Commission in a manner as may be determined by the Commission.

(2) The applicant shall deliver to the Commission a sample of the gas fitting, gas appliance or gas equipment under subregulation (1) and other information in connection with it, including drawings, photographs, pamphlets and technical literature, as the Commission may require.

(3) A sample delivered shall be attached or affixed with a label containing the following particulars:

- (a) the full name and address of the applicant;
- (b) the nature of the sample; and

- (c) the catalogue or type number of the manufacturer, or any other means of distinguishing the sample.

(4) The Commission shall not be liable for loss or damage caused to a sample delivered under subregulation (2).

Examination and test of sample

119. (1) The Commission may cause one or more samples under regulation 118 to be examined and tested before granting a Certificate of Approval under subregulation 115(2).

(2) Where the Commission considers that the sample examined and tested under subregulation (1) is likely to cause danger, the person applying for the Certificate of Approval shall modify or alter the sample to comply with the requirements of the Commission and submit the modified or altered sample.

Test, seizure and removal of dangerous gas fitting, gas appliance or gas equipment

120. (1) The Commission may at any time by notice in writing require a person who assembles, manufactures, imports or sells a gas fitting, gas appliance or gas equipment to deliver, within the time specified in the notice, a sample of the gas fitting, gas appliance or gas equipment for examination and test.

(2) If a gas fitting, gas appliance or gas equipment is, in the opinion of the Commission, unsafe or dangerous for use, or likely to become unsafe or dangerous for use, the Commission may prohibit the use or sale of the gas fitting, gas appliance or gas equipment and, where necessary, may seize and remove the gas fitting, gas appliance or gas equipment.

(3) The Commission shall not be liable for any loss or damage caused to a gas fitting, gas appliance or gas equipment delivered, seized and removed under subregulations (1) and (2).

Gas appliance safety precautions

- 121.** (1) No person shall install a gas appliance unless —
- (a) the gas fitting and the gas equipment to be used in connection with the gas appliance are in the condition which ensures that the gas appliance can be used without causing danger to a person or property;
 - (b) the general conditions of installation including the stability of the gas appliance and its connection to any other gas fitting are such that the appliance can be used without causing danger to a person or property;
 - (c) the gas appliance can be used safely when it is connected to the gas supply; and
 - (d) there is a method of shutting off the supply of gas to the gas appliance.
- (2) Notwithstanding subregulation (1), the person shall also ensure that —
- (a) there are means of removal of the products of combustion from the gas appliance;
 - (b) there is sufficient permanent supply of air for the gas appliance for proper combustion;
 - (c) there is sufficient ventilation to the room or the internal space in which the gas appliance is to be used; and
 - (d) the installation is made in accordance with these Regulations.

Access to gas appliances

122. No person shall install a gas appliance except in such a manner that it is easily accessible for operation, inspection and maintenance.

Testing of gas appliances

123. (1) If a person installs a gas appliance at a time when gas is being supplied to the premises in which the gas appliance is to be installed, he shall

immediately after that, test the connection to the gas appliance to verify that the connection is gas tight and examine the gas fitting, gas equipment, other works for the supply of gas and flue or means of ventilation to be used in connection with the gas appliance for the purpose of ascertaining whether —

- (a) the gas appliance has been installed in compliance with these Regulations;
- (b) the operating pressure is as recommended by the manufacturer;
- (c) the gas appliance has been installed in compliance with the manufacturer's instructions relating to the use of the gas appliance; and
- (d) all gas safety controls are in proper working order.

(2) If a person carrying out a test or an examination in relation to a gas appliance determines that adjustments are necessary to ensure compliance with the requirements specified in subregulation (1), he shall either carry out those adjustments or disconnect the supply of gas to the gas appliance.

(3) No person shall install a gas appliance in a premises without testing the connection to the gas appliance for gas tightness.

(4) No person shall install a gas appliance without first ascertaining that all the gas safety controls are in proper working order.

Unsafe gas appliances

124. No person shall use a gas appliance or permit a gas appliance to be used if he knows or has reason to suspect that —

- (a) there is insufficient supply of air available for the gas appliance for proper combustion at the point of combustion;
- (b) the removal of the products of combustion from the gas appliance is not being or cannot be safely carried out;
- (c) the room or internal space in which the gas appliance is situated is not adequately ventilated for the purpose of providing air containing sufficient oxygen for the person present in the room or in the internal space, or in the vicinity of the internal space while the gas appliance is in use;

- (d) gas is escaping from the gas fitting or gas equipment used in connection with the gas appliance; or
- (e) the gas appliance or any part of it, the gas fitting or gas equipment connected to it cannot be used safely.

Irreparable gas appliance

125. (1) A person who finds a gas appliance beyond repair or in an unsafe condition shall discontinue using the gas appliance and shall immediately notify an authorized officer of its conditions and location.

(2) If the notification under subregulation (1) is made verbally, the person shall immediately after that reduce it to writing and shall state all the relevant facts.

PART VI

MAINTENANCE

Maintenance of gas installation

126. (1) A gas installation shall be maintained in good and efficient working order to ensure safety of persons and safety shall be observed at all times so as to prevent danger from arising.

(2) The duty to ensure the safety standards required under subregulation (1) shall be on the responsible person.

(3) A domestic gas installation shall be checked, tested and certified by the appropriate competent person every three years but other gas installations shall be similarly inspected, tested and certified every two years.

(4) Notwithstanding subregulation (3), the Commission may direct the inspection, test and certification of any gas installation to be carried out at any time.

Power of the Commission to inspect

127. (1) The Commission shall inspect a gas installation or premises where a gas installation is located if he thinks that it is necessary to do so in the interest of public or private safety.

(2) The Commission shall require an inspection to be made by sending a notice in writing to the responsible person and that person shall attend the inspection and give any assistance as may be required by the Commission in the notice.

Competent person to undertake maintenance work

128. (1) No person other than a competent person or a person acting under the immediate supervision of a competent person, shall undertake to carry out the repair and maintenance of a gas pipeline or gas installation.

(2) The scope of maintenance for a competent person is as prescribed in Table 2 of the Second Schedule.

Record of maintenance

129. (1) There shall be kept a maintenance record book in which any maintenance and repair work carried out on a gas installation is recorded.

(2) The book under subregulation (1) shall be kept by the responsible person.

Authorized or qualified person to do certain work

130. (1) No person, other than an authorized person of a licensee, a competent person having the permission of a private gas licensee, or a competent person having the permission of the owner or occupier shall —

- (a) open or make connections with a distribution main pipe or gas service pipe;
- (b) disconnect the inlet of a meter; or
- (c) move a meter.

(2) No person shall do welding on a metallic gas piping unless that person is a holder of a valid certificate of qualification from the relevant authority.

(3) No person shall install or inter-connect non-metallic pipe unless that person is the holder of a valid certificate of qualification from the relevant authority.

(4) The Commission may determine the qualification that a person shall have in order to weld piping, install or inter-connect other equipment composed of plastic, metal, glass or other material.

Testing after disconnection

131. Where a competent person or a person under the supervision of a competent person disconnects the outlets of a meter from house piping, he shall —

- (a) substitute the joint at the meter outlet; and
- (b) turn the meter on again only after testing the house piping and ensuring that no other outlets are open.

Competent person to notify of need to repair

132. Where a competent person has reason to believe that there is a need for the alteration of, or the repair of a part of a supply system, the competent person shall immediately notify the responsible person of the matter.

Competent person may make emergency repair

133. Where gas is leaking from a part of the gas supply system, a competent person may make necessary emergency repairs and shall notify the responsible person of the permanent repairs that are necessary.

Replacement of meter

134. A meter shall be replaced every ten years or at any time when the meter malfunctions.

Safety and precaution during maintenance work

135. (1) When a person is carrying out maintenance work within the vicinity, he shall take adequate precautions to prevent a gas installation or gas equipment from being accidentally or inadvertently made unsafe.

(2) A person engaged in maintenance work in connection with a gas installation or equipment shall be adequately protected from danger and the responsibility for such protection shall be on the responsible person, his servant or agent, as the case may be.

PART VII

MISCELLANEOUS

Authority card

136. For the purpose of subsection 45(1) of the Enactment, the authority card to be carried by the authorized officers is as prescribed in Form L of the First Schedule.

Fees to be paid in advance

137. All fees payable to the Commission under the Enactment and these Regulations shall be paid in advance and shall not be refundable unless there is ample justification for a refund.

Serious accident to be reported and investigated

138. (1) For the purpose of section 68 of the Enactment, the authorized officer or other officer shall, as soon as practicable, upon being notified of an accident or a fire —

- (a) visit the place where the accident or fire occurred;
- (b) make a preliminary investigation of the circumstances;
- (c) record in writing his findings which may be supported by relevant photographs;

- (d) direct that the person or authority provides him with photographs, medical reports or other relevant documents on the accident or fire;
- (e) forward his report to the Commission; and
- (f) if there has been a loss of life or there is a reason to believe that a person has been fatally injured, send a copy of his findings to the nearest police station.

(2) In the event of the loss of life or grievous hurt is suffered by a person due to an accident or a fire in connection with a gas pipeline or gas installation, no alteration or addition shall be made to the gas pipeline or gas installation or any part of it which may have contributed to the accident or fire without the consent of the Commission and until the Commission or the authorized officer has completed his investigation:

Provided that this subregulation shall not operate to interfere with the rescue work or work necessary for the general safety of life or property.

(3) If upon a preliminary investigation under subregulation (2) it appears to the authorized officer or other officer making the investigation that there is a reason to believe that —

- (a) the accident or fire was due to failure to comply with the Enactment or these Regulations or an order duly made by the Commission; or
- (b) the accident or fire could have been prevented if proper precautions had been taken in carrying out work on a gas pipeline or gas installation or any part of it,

the Commission or authorized officer may further investigate the circumstances of the accident or fire.

(4) If the Commission is of the opinion that any offence under the Enactment or these Regulations has been committed, the Commission shall immediately forward to the police a copy of the report of the authorized officer's report referred to in subregulation (2) together with his opinion on the circumstances and findings.

(5) A person involved in the investigation made under this regulation may be entitled to receive a copy of the summary of the evidence and the decision made upon payment of a fee of fifty ringgit.

The Commission to keep records

139. The Commission shall keep the following records which have to be numbered according to chronological order —

- (a) all inquiries held under the Enactment and the evidence taken in respect of the inquiries;
- (b) all licences issued;
- (c) all technical and administrative instructions issued by the Commission;
- (d) all accidents and fires involving any gas pipeline or gas installation investigated;
- (e) all Certificates of Competency issued under these Regulations;
- (f) all registered competent persons;
- (g) all registered Gas Contractors;
- (h) all registered importers, assemblers and manufacturers of gas fitting, gas appliances and gas equipment;
- (i) all registered gas appliances, gas fitting and gas equipment; and
- (j) any other necessary records.

Offence

140. Any person who contravenes these Regulations shall be guilty of an offence.

No.:

FIRST SCHEDULE

[Subregulation 5(2)]

FORM A

GOVERNMENT OF THE STATE OF SABAH

GAS SUPPLY ENACTMENT 2023

GAS LICENCE

Licence No.:

In accordance with section 5 of the Gas Supply Enactment 2023, this licence is issued to

(Name of Licensee)

of

(Address of Licensee)

.....
for the....., in accordance with the Gas Supply Regulation 2023, a gas installation at

(Location of installation)

in the State of Sabah.

This licence is subject to the following requirements:

(a) Class of installation:..... (b) Capacity of gas supplied:

.....

.....MMBTU

(c) Type of gas: (d) Duration of licence (from):

(to).....

Date of issue:

Place of Issue:

Fee: RM

.....

Commission

Note:

Renewal of the licence shall be made in not less than two months before the date of expiry of licence.

No.:

FIRST SCHEDULE

[Regulation 14]

FORM B

GOVERNMENT OF THE STATE OF SABAHGAS

SUPPLY ENACTMENT 2023

CERTIFICATE OF COMPLETION

- 1. Name and address of owner:.....
- 2. Location of installation:.....
- 3. Application reference No.:.....
- 4. Date of application:.....
- 5. Contractor:
 - (i) Name:.....
 - (ii) Address:
 -
 - (iii) Registration No.:
- 6. Competent Person:
 - (i) Name:.....
 - (ii) I/C No.:
 - (iii) Registration No.:

I hereby certify that the above installation has been installed and completed on 20..... in accordance with the provision of the Gas Supply Enactment 2023 and the Gas Supply Regulations 2023.

Signed by:
.....
(Name:)

Witnessed by:
.....
(Name.....)

Stamp and Signature of
Competent Person

Stamp and Signature
of Owner/Representative

Date:.....

Date:.....

FIRST SCHEDULE

[Subregulation 15(2)]

No.:

FORM C

GOVERNMENT OF THE STATE OF SABAH

GAS SUPPLY ENACTMENT 2023

TEST CERTIFICATE

- 1. Name and address of owner:.....
.....
- 2. Location of installation:.....
- 3. Application reference No.:.....
- 4. Date of application:.....
- 5. Contractor:
 - (i) Name:.....
 - (ii) Address:
 -
 - (iii) Registration No.:
- 6. Competent Person:
 - (i) Name:.....
 - (ii) I/C No.:
 - (iii) Registration No.:
- 7. Holiday Test:
 - (i) Date:
 - (ii) Testing equipment.....
 - (iii) Please attach detail and results of test
Remarks:
- 8. Leak Test:
 - (i) Date:
 - (ii) Medium:
 - (iii) Please attach detail and result of test
Remarks:.....

I hereby certify that the above installation have been tested on 20..... in accordance with the provision of the Gas Supply Enactment 2023 and the Gas Supply Regulations 2023.

Signed by: Witnessed by:

(Name:.....) (Name.....)

Stamp and Signature of Competent Person Stamp and Signature of Owner/
Representative

Date: Date:

No.:

FIRST SCHEDULE

[Subregulation 16(2)]

FORM D

GOVERNMENT OF THE STATE OF SABAH

GAS SUPPLY ENACTMENT 2023

NOTICE OF WORK ON A GAS INSTALLATION

- 1. Name and address of licensee :
-
- 2. Licence No.: 3. Location of installation:.....
- 4. Type of work to be done:.....
- 5. Contractor: 6. Competent Person:

 - (i) Name:..... (i) Name:.....
 - (ii) Address: (ii) I/C No.:
 - (iii) Registration No.:
 -
 - (iii) Registration No.:

I hereby notify that in accordance with the Gas Supply Enactment 2023 and regulation 16 of the Gas Supply Regulations 2023 the above work will be carried out at the above gas installation.

Date:
.....
(Stamp and Signature of Licensee)

Note:
In the case of any installation or alteration is to be carried out on an existing gas installation, the competent person shall submit a working procedure to the Commission.

No.:

FIRST SCHEDULE

[Subregulation 20(1)]

FORM E

GOVERNMENT OF THE STATE OF SABAH

GAS SUPPLY ENACTMENT 2023

NOTICE OF INSPECTION AND TEST OF LEAKAGE OF GAS

To:

(Name of owner)

of.....

(Address of owner)

.....

I hereby notify that in accordance with regulation 20 of the Gas Supply Regulations 2023, an inspection and leak test will be made on the 20..... at..... a.m./p.m. and the responsible person of the gas installation is required to be present during the inspection and test and shall give any assistance as may be required.

Date:

.....

Commission

No.:

FIRST SCHEDULE

[Subregulations 80(1) and 89(2)]

FORM F

GOVERNMENT OF THE STATE OF SABAH

GAS SUPPLY ENACTMENT 2023

CERTIFICATE OF COMPETENCY AS
GAS ENGINEER/GAS ENGINEERING SUPERVISOR

Name:

Holder's Identity Card No.:

Holder's Date of Birth:

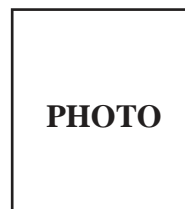
has been examined and found to possess the qualifications prescribed by the Gas Supply Regulations 2023. This Certificate of Competency as a GAS ENGINEER/ GAS ENGINEERING SUPERVISOR is issued to him/ her and shall not be used by any other person.

RESTRICTION, IF ANY: * (a) GAS ENGINEER
(b) GAS ENGINEERING SUPERVISOR
(c) Others:

Place of issue :

Date of issue :

Fee : RM.....



Holder's Signature
or thumbprint

.....
Commission

Note:

If this Certificate comes into the possession of any person other than the person to whom it was issued, it shall be returned immediately to the Commission.

* Delete whichever is not applicable.

No.:

FIRST SCHEDULE

[Subregulations 80(1) and 89(2)]

FORM G

GOVERNMENT OF THE STATE OF SABAH

GAS SUPPLY ENACTMENT 2023

CERTIFICATE OF COMPETENCY AS GAS FITTER

Name:

Holder's Identity Card No.:

Holder's Date of Birth:

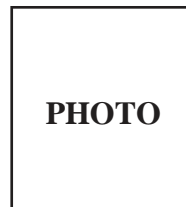
has been examined and found to possess the qualifications prescribed by the Gas Supply Regulations 2023. This Certificate of Competency as a GAS FITTER is issued to him/her and shall not be used by any other person.

- RESTRICTION, IF ANY: *
- (a) CLASS I
 - (b) CLASS II
 - (c) CLASS III
 - (d) Others:

Place of issue :

Date of issue :

Fee : RM.....



*Holder's Signature
or thumbprint*

.....
Commission

Note:

If this Certificate comes into the possession of any person other than the person to whom it was issued, it shall be returned immediately to the Commission.

* Delete whichever is not applicable.

No.:

FIRST SCHEDULE

[Subregulation 100(2)]

FORM H

GOVERNMENT OF THE STATE OF SABAH GAS

SUPPLY ENACTMENT 2023

CERTIFICATE OF REGISTRATION OF GAS CONTRACTOR

In accordance with subregulation 100(2) of the Gas Supply Regulations 2023, this Certificate is issued to

.....

(Name, I/C No. and Address of Holder)

on behalf of

(Name of Business)

and authorises the holder to carry out the business as a Gas Contractor of CLASS A/CLASS B/CLASS C/CLASS D* at

.....

(Address of business and branches)

for a period of twelve months from date of issue or renewal shown below:

Place of issue/renewal* :

Date of issue/renewal* :

Registration No. :

Fee : RM.....



Holder's Signature
or thumbprint

.....
Commission

Note:

1. Renewal of registration shall be made in not less than two months before the date of expiry of registration.

2. If this Certificate comes into the possession of any person other than the person to whom it was issued, it shall be returned immediately to the Commission.

* Delete whichever is not applicable.

No.:

FIRST SCHEDULE

[Subregulation 114(2)]

FORM I

GOVERNMENT OF THE STATE OF SABAH GAS

SUPPLY ENACTMENT 2023

CERTIFICATE OF APPROVAL TO MANUFACTURE/
ASSEMBLE GAS FITTING/APPLIANCE/EQUIPMENT

In accordance with subregulation 114(2) of the Gas Supply Regulations 2023, this Certificate is issued
to

.....
.....

(Name, I/C No. and Address of Holder)

on behalf of

(Name of manufacturer/assembler)

and authorises the holder to manufacture/assemble* gas fitting/gas appliance/gas equipment* at.....

.....
(Address of business)

for a period of twelve months from date of issue or renewal shown below:

Place of issue/renewal* :
Date of issue/renewal* :
Approval No. :
Fee : RM.....



Holder's Signature
or thumbprint

.....
Commission

Note:

1. Renewal shall be made in not less than two months before the date of expiry of the Certificate.
2. If this Certificate comes into the possession of any person other than the person to whom it was issued, it shall be returned immediately to the Commission.

* Delete whichever is not applicable.

No.:

FIRST SCHEDULE
[Subregulation 114(2)]

FORM J

GOVERNMENT OF THE STATE OF SABAH GAS
SUPPLY ENACTMENT 2023

*CERTIFICATE OF APPROVAL TO IMPORT
GAS FITTING/GAS APPLIANCE/GAS EQUIPMENT*

In accordance with subregulation 114(2) of the Gas Supply Regulations 2023, this Certificate is issued to

.....
.....

(Name, I/C No. and Address of Holder)

on behalf of

(Name of importer)

and authorises the holder to import gas fitting/gas appliance/gas equipment*

.....
.....

(Address of importer)

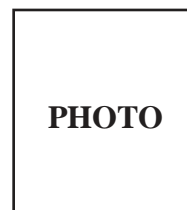
for a period of twelve months from date of issue or renewal shown below:

Place of issue/renewal* :

Date of issue/renewal* :

Approval No. :

Fee : RM.....



*Holder's Signature
or thumbprint*

.....
Commission

Note:

1. Renewal shall be made in not less than two months before the date of expiry of the Certificate.
2. If this Certificate comes into the possession of any person other than the person to whom it was issued, it shall be returned immediately to the Commission.

* Delete whichever is not applicable.

No.:

FIRST SCHEDULE
[Subregulation 115(2)]

FORM K

GOVERNMENT OF THE STATE OF SABAH
GAS SUPPLY ENACTMENT 2023
CERTIFICATE OF APPROVAL
GAS FITTING/GAS APPLIANCE/GAS EQUIPMENT

In accordance with subregulation 115(2) of the Gas Supply Regulations 2023, I hereby approve the following item for sale and use:

Description of gas fitting/gas appliance/gas equipment*:

Trade Name:

Type/Model:

kW/psi rating:

This approval is issued to
.....
.....

(Name, I/C No. and Address of Holder)

on behalf of

(Company)

Place of issue/renewal* :

Date of issue/renewal* :

Approval No. :

Fee : RM.....

*Holder's Signature
or thumbprint*

.....
Commission

Note:

If this Certificate comes into the possession of any person other than the person to whom it was issued, it shall be returned immediately to the Commission.

* Delete whichever is not applicable.

No.:

FIRST SCHEDULE

[Regulation 136]

FORM L

GOVERNMENT OF THE STATE OF SABAH

GAS SUPPLY ENACTMENT 2023

No.

AUTHORITY CARD OF AUTHORIZED OFFICER

Full Name:

Identity Card No.:

Signature of Holder:



1. The holder of this card whose name and photograph appears above is an officer duly appointed under section 45 of the Sabah Gas Supply Enactment 2023.
2. Under section 46 of the said Enactment he may, for the purpose of discharging any of his duties or carrying out any of his functions under the said Enactment or the regulations made thereunder, enter any land, house or building.
3. A person who finds this card shall surrender the card to the Commission.

Date of Issue:

.....

Commission

SECOND SCHEDULE
[Regulation 10]
GOVERNMENT OF THE STATE OF SABAH
GAS SUPPLY ENACTMENT 2023
CLASSIFICATION OF GAS INSTALLATION

TABLE I

No.	Class of Installation	Criteria of Classification
1.	Class I	<p><i>Natural Gas</i></p> <p>Installation with maximum operating pressure exceeding 60 psig</p> <p><i>Liquefied Petroleum Gas</i></p> <p>Installation with bulk storage exceeding 10 kl aggregate water capacity;</p> <p>and</p> <p>pipeline with maximum operating pressure exceeding 20 psig after first stage regulator.</p>
2.	Class II	<p><i>Natural Gas</i></p> <p>Installation with maximum operating pressure exceeding 5 psig but not exceeding 60 psig</p> <p><i>Liquefied Petroleum Gas</i></p> <p>Installation with aboveground bulk storage not exceeding 10 kl aggregate water capacity;</p> <p>or</p> <p>Installation with manifolded cylinders exceeding 2.5 kl aggregate water capacity (vapour withdrawal or liquid withdrawal with vaporizer);</p> <p>and</p> <p>pipeline with maximum operating pressure exceeding 5 psig but not exceeding 20 psig after first stage regulator.</p>
3.	Class III	<p><i>Natural Gas</i></p> <p>Installation with maximum operating pressure not exceeding 5 psig</p> <p><i>Liquefied Petroleum Gas</i></p> <p>Installation with manifolded cylinders not exceeding 2.5 kl aggregate water capacity (vapour withdrawal only);</p> <p>and</p> <p>pipeline with maximum operating pressure not exceeding 5 psig after first stage regulator.</p>

SECOND SCHEDULE

[Regulation 14, Subregulations 15(1), 80(3), 102(4), 103(4), 104(4), 105(4) and 128(2)]

TABLE 2

GOVERNMENT OF THE STATE OF SABAH

GAS SUPPLY ENACTMENT 2023

SCOPE OF WORK OF VARIOUS CLASSES OF COMPETENT PERSON

No.	Competent Person	Endorsement of Plan	Endorsement of Certificate of Completion	Endorsement of Test Certificate	Repair of gas installation	Maintenance of gas installation
1.	Gas Engineer	All Classes of gas installation	All Classes of gas installation	All Classes of gas installation	All Classes of gas installation	All Classes of gas installation
2.	Gas Engineering Supervisor	Class II and Class III gas installation	All Classes of gas installation	All Classes of gas installation	All Classes of gas installation	All Classes of gas installation
3.	Gas Fitter					
	(a) Class I	Class III gas installation	Class II and Class III gas installation	Class II and Class III gas installation	Class II and Class III gas installation	Class II and Class III gas installation
	(b) Class II	Class III gas installation	Class III gas installation	Class III gas installation	Class III gas installation	Class III gas installation
	(c) Class III		Class III gas installation (repair work only)	Class III gas installation (repair work only)	Class III gas installation	Class III gas installation

SECOND SCHEDULE

[Subregulations 101(2), 102(2), 103(2), 104(2) and 105(2)]

TABLE 3

GOVERNMENT OF THE STATE OF SABAH

GAS SUPPLY ENACTMENT 2023

SCOPE OF WORK OF VARIOUS CLASSES OF GAS CONTRACTORS

<i>No.</i>	<i>Classes of as Contractor</i>	<i>Design of Gas Installation</i>	<i>Installation</i>	<i>Testing</i>	<i>Commissioning</i>	<i>Maintenance and Repair</i>
1.	Class A	All Classes of gas installation	All Classes of gas installation	All Classes of gas installation	All Classes of gas installation	All Classes of gas installation
2.	Class B	Class III gas installation	Class II and Class III gas installation	Class II and Class III gas installation	Class II and Class III gas installation	Class II and Class III gas installation
3.	Class C	Class III gas installation	Class III gas installation	Class III gas installation	Class III gas installation	Class III gas installation
4.	Class D	—	—	—	—	Class III gas installation

SECOND SCHEDULE

[Paragraph 106(b)]

TABLE 4

GOVERNMENT OF THE STATE OF SABAH

GAS SUPPLY ENACTMENT 2023

COMPETENT PERSON REQUIRED FOR CERTAIN CLASSES OF GAS CONTRACTORS

<i>No.</i>	<i>Gas Contractor</i>	<i>Minimum Standard for Competent Person Required</i>
1.	Class A	(i) Gas Engineer or Gas Engineering Supervisor, and (ii) Class I Gas Fitter
2.	Class B	(i) Class I Gas Fitter
3.	Class C	(i) Class II Gas Fitter
4.	Class D	(i) Class III Gas Fitter

THIRD SCHEDULE

[Regulation 6, Subregulations 12(5) and 13(3), Regulation 21, Subregulations 85(2) and 86(2), Regulation 91, Paragraph 97(e), Subregulations 98(1) and 99(2), Regulation 108, Subregulations 112(2), 113(6), 116(1) and 116(3)]

GOVERNMENT OF THE STATE OF
SABAH GAS SUPPLY ENACTMENT 2023

FEE

PART I

1. *Fees to carry out activity under section 4 of the Enactment (Regulation 6)*
 - (a) *Regasification licence*

The fee shall be based on the reserved capacity for the relevant facility.
The fee charged is 3 cent/MMBTU
(MMBTU = Million British Thermal Unit)
 - (b) *Transportation licence*

The fee shall be based on the reserved capacity for the relevant facility.
The fee charged is 1.5 cent/MMBTU
 - (c) *Distribution licence*

The fee shall be based on the reserved capacity for the relevant facility.
The fee charged is 3 cent/MMBTU
 - (d) *Import into regasification terminal licence*

The fee shall be based on the reserved capacity for the relevant facility.
The fee charged is 1.5 cent/MMBTU
 - (e) *Processing of gas*

The fee shall be based on the reserved capacity for the relevant facility.
The fee charged is 3 cent/MMBTU
 - (f) *Shipping licence*

The fee shall be based on the reserved capacity for the relevant facility.
The fee charged is 1 cent/MMBTU

(g) *Retail licence*

The fee shall be based on the class of installation as follows:

	<i>RM per year</i>
i. Class I installation	600.00
ii. Class II installation	400.00
iii. Class III installation	200.00

(h) *Use of gas licence*

The fee shall be based on the class of installation as follows:

	<i>RM per year</i>
i. Class I installation	300.00
ii. Class II installation	200.00
iii. Class III installation	100.00

2. *Fee for approval to install and approval to operate for gas installation (Subregulations 12(5) and 13(3))*

	<i>RM/Certificate</i>
(a) Processing and issuance of approval to install	200.00
(b) Processing and issuance of approval to operate	100.00

3. *Fee for inspection and tests of installation (Regulation 21)*

<i>(a) Inspection</i>	<i>RM</i>
i. Class I gas installation	300.00
ii. Class II gas installation	200.00
iii. Class III gas installation	100.00
iv. Additional gas installation	100.00

<i>(b) Leak Test</i>	<i>RM</i>
i. Class I gas installation	300.00
ii. Class II gas installation	200.00
iii. Class III gas installation	100.00

iv. Additional gas installation	100.00
(c) <i>Holiday Test</i>	100.00

PART II

1. *Fee for replacement of Certificate of Competency (Subregulation 85(2))*

	<i>RM</i>
(a) Gas Engineer	150.00
(b) Gas Engineering Supervisor	100.00
(c) Gas Fitter	50.00

2. *Fee for registration and renewal of registration for competent person (Subregulation 86(2))*

	<i>RM per year</i>
(a) Gas Engineer	150.00
(b) Gas Engineering Supervisor	100.00
(c) Gas Fitter	50.00

3. *Fee for examinations (Regulation 91)*

	<i>RM</i>
(a) Examination processing fee	20.00
(b) Examination for a Certificate of Competency as a Gas Engineer	150.00
(c) Examination for a Certificate of Competency as a Gas Engineering Supervisor	100.00
(d) Examination for a Certificate of Competency as a Gas Fitter	50.00

4. *Fee for removal of a restriction and endorsement of a Certificate of Competency (Paragraph 97(e))*

	<i>RM</i>
(a) Gas Engineer	150.00
(b) Gas Engineering Supervisor	100.00
(c) Gas Fitter	50.00

5. *Fee for temporary Certificate of Competency for a foreign person (Subregulation 98(1))*

	<i>RM per year</i>
(a) Gas Engineer	150.00
(b) Gas Engineering Supervisor	100.00
(c) Gas Fitter	50.00

6. *Fee for endorsement of equivalent Certificate of Competency (Subregulation 99(2))*

	<i>RM</i>
(a) Gas Engineer	150.00
(b) Gas Engineering Supervisor	100.00
(c) Gas Fitter	50.00

7. *Fee for Certificate of Registration as Gas Contractor (Regulation 108 and Subregulation 113(6))*

	<i>Issuance fee</i>	<i>Renewal</i>
	<i>RM</i>	<i>per year</i>
		<i>RM</i>
(a) Class A	3000.00	2000.00
(b) Class B	2000.00	1000.00
(c) Class C	1000.00	700.00
(d) Class D	500.00	300.00

8. *Fee for issuance and renewal of Certificate of Approval to assemble, manufacture or import any gas fitting, gas appliance or gas equipment (Subregulation 116(1))*

	<i>Issuance fee</i>	<i>Renewal</i>
	<i>RM</i>	<i>per year</i>
		<i>RM</i>
(a) Manufacturer/Assembler	500.00	250.00
(b) Importer	800.00	400.00

9. *Fee for issuance and renewal of Certificate of Approval for sale or use of any gas fitting, gas equipment or gas appliance (Subregulation 116(1))*

	<i>Issuance fee</i>	<i>Renewal</i>
	<i>RM</i>	<i>per year</i>
		<i>RM</i>
(a) Gas fitting	100.00	100.00
(b) Gas equipment	200.00	200.00
(c) Gas appliance	110.00	110.00

10. *Fee for replacement of certificate other than Certificate of Competency (Subregulations 112(2) and 116(3))*

	<i>RM</i>
(a) Registration of Gas Contractor	35.00
(b) Certificate of Approval	35.00

FOURTH SCHEDULE

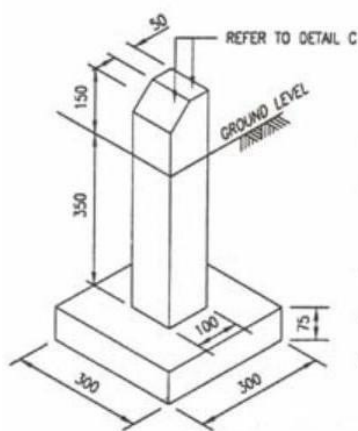
[Subregulation 22(2)]

FIGURE 1

GOVERNMENT OF THE STATE OF SABAH

GAS SUPPLY ENACTMENT 2023

CONCRETE MARKER

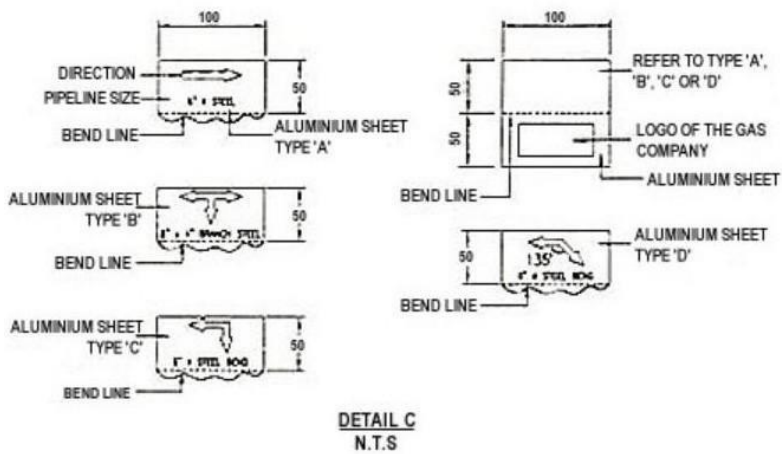


NOTES:

1. ALL DIMENSIONS ARE IN MM UNLESS OTHERWISE SPECIFIED.
2. THE CONCRETE MARKER WITH 300MM x 300MM x 75MM CONCRETE BASE, SHALL BE INSTALLED AT EVERY 50 METRES FOR STRAIGHT OR CURVED RUNS AND WHENEVER THERE IS TEE-OFF OR ABRUPT CHANGE IN DIRECTION.
3. THE COLOUR OF THE CONCRETE MARKER SHALL BE YELLOW. CODE - BS NO.381C309.
4. AT LEAST 150MM OF CONCRETE MARKER SHALL BE ABOVE GROUND.
5. A PROTECTIVE CONCRETE SLAB SHALL BE INSTALLED AT 300MM ABOVE THE PIPE FOR ROAD CROSSING (OPEN-CUT METHOD) AND AS AND WHEN REQUIRED BY THE GAS COMPANY.

CONCRETE MARKER

N.T.S



FOURTH SCHEDULE

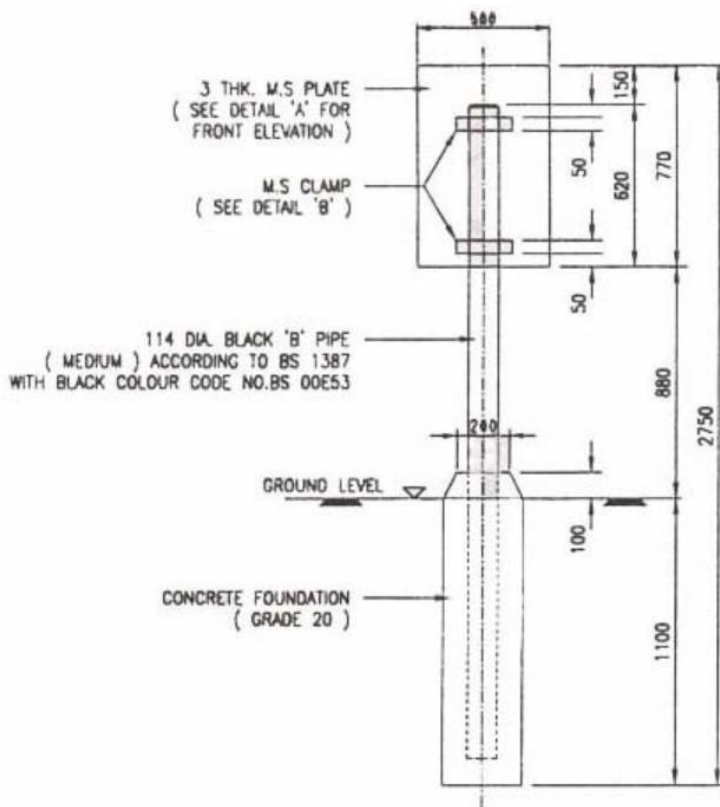
[Subregulation 22(2)]

FIGURE 2

GOVERNMENT OF THE STATE OF SABAH

GAS SUPPLY ENACTMENT 2023

WARNING SIGN POST



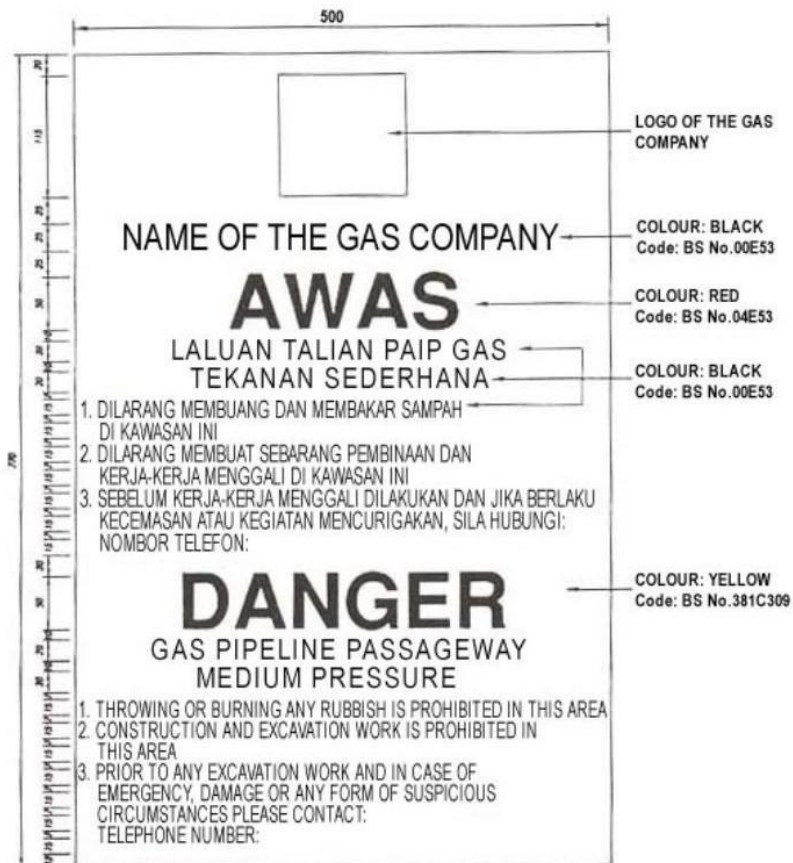
WARNING SIGN POST

(REAR ELEVATION)

N.T.S

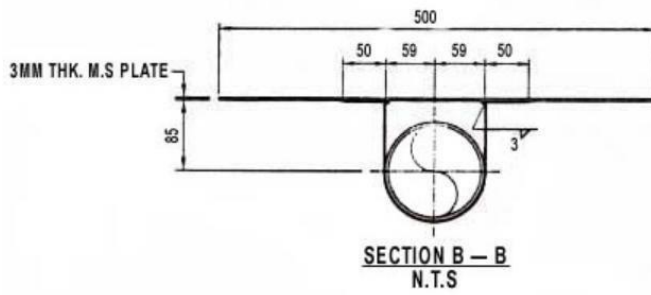
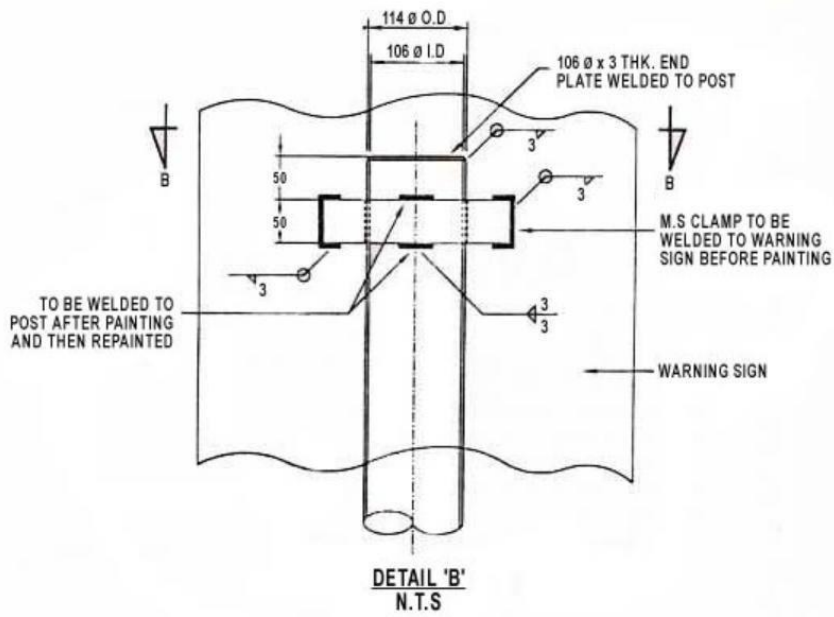
NOTES:

1. WARNING SIGN POST TO BE INSTALLED AT BOTH SIDES OF ROAD, RIVER OR WATER-WAY AND RAILWAY CROSSING.
2. EMBEDDED LENGTH OF POST TO BE CLEANED AND CLEARED OF OIL, GREASE, RUST, ETC.
3. ALL WELD ARE TO BE 3MM THICK FILLET WELD.

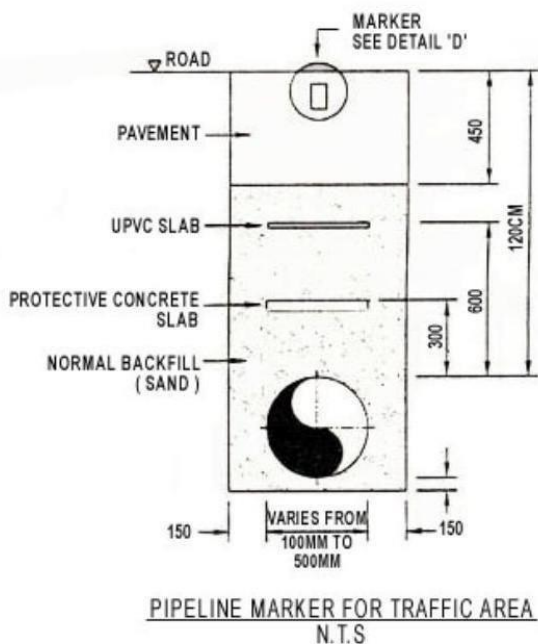


DETAIL A
N.T.S

- NOTES:
THE PIPELINE WARNING MARKER SHALL BE INSTALLED AT:
1. EVERY 500M INTERVAL.
 2. EACH SIDE OF HIGHWAY, RIVER OR RAILWAY CAUSING (AT THE LIMIT OF RIGHT OR WAY).
 3. AS AND WHEN REQUIRED BY THE GAS COMPANY.

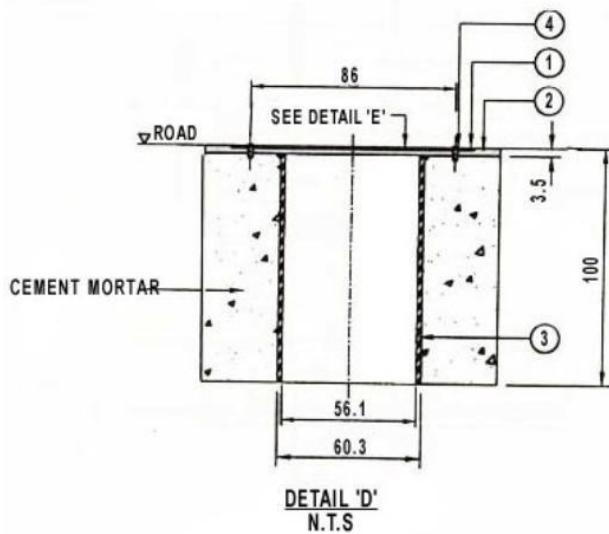
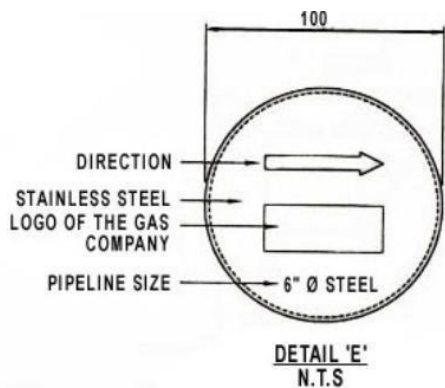


FOURTH SCHEDULE
 [Subregulation 22(2)]
 FIGURE 3
 GOVERNMENT OF THE STATE OF SABAH
 GAS SUPPLY ENACTMENT 2023
 PIPELINE MARKER FOR TRAFFIC AREA



NOTES:

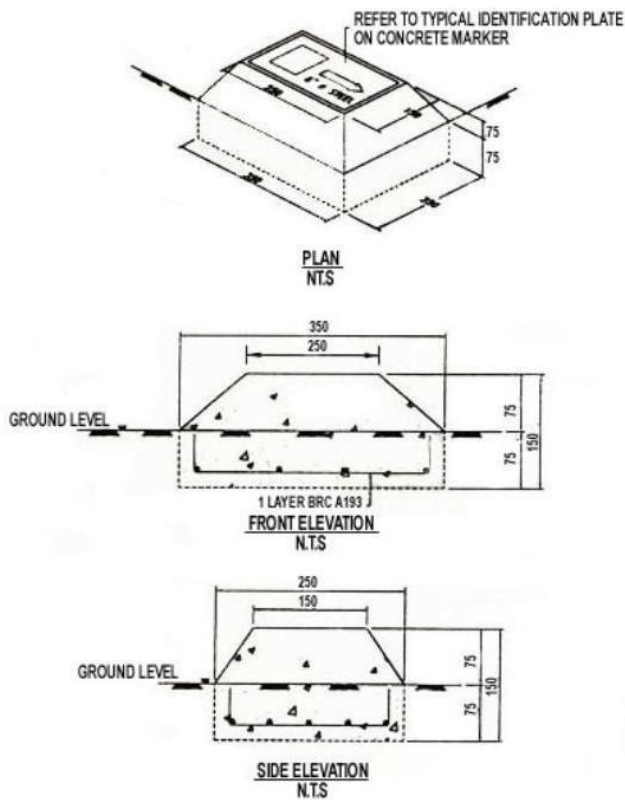
1. MILD STEEL PLATE 55C 124MM, THK=4.5MM. IT SHOULD BE SHAVED FOR STAINLESS STEEL PIPE (1) AREA $\phi = 102\text{MM}$, DEPTH= 1.0MM.
2. STEEL PIPE DIAMETER = 2 INCH, W/T=21MM. MILD STEEL PLATE (2) AND STEEL PIPE (3) SHOULD BE WELDED.
3. VIS = 1/8 INCH ALUMINIUM VIS.
4. STAINLESS STEEL PLATE $\phi = 100\text{MM}$, W/T = 1.0MM.
5. INSTALLED AT EVERY 50M INTERVAL.



LEGEND:

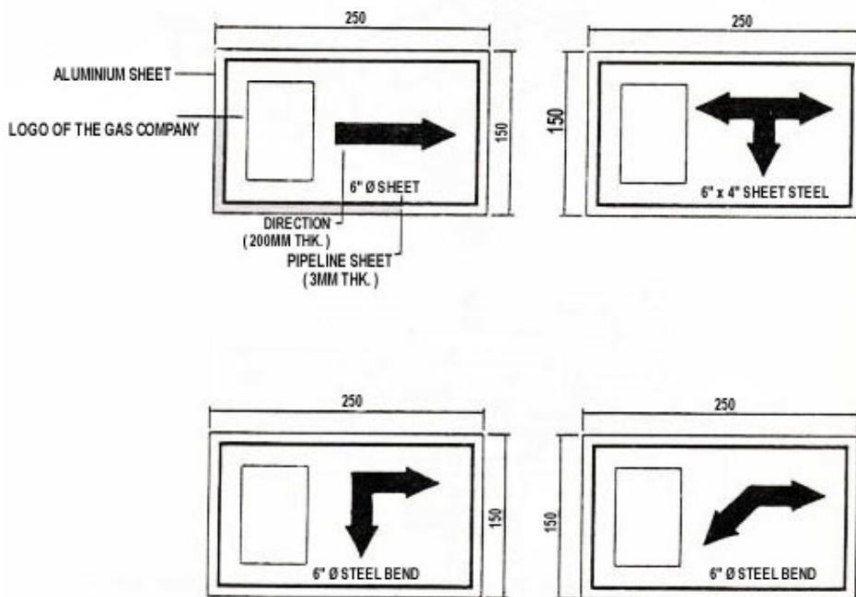
- 1 - STAINLESS STEEL PLATE
- 2 - MILD STEEL PLATE
- 3 - STEEL PIPE
- 4 - 1/8 INCH ALUMINIUM VIS

PIPELINE CONCRETE MARKER



NOTES:

1. ALL DIMENSIONS ARE IN MM UNLESS OTHERWISE SPECIFIED
2. THE CONCRETE MARKER SHALL BE INSTALLED AT EVERY 50 METRES FOR STRAIGHT OR CURVED RUNS AND WHENEVER THERE IS A TEE OFF OR ABRUPT CHANGE IN DIRECTION
3. THE COLOUR OF THE CONCRETE MARKER SHALL BE YELLOW



NOTES:

- 1. ALL GAS PIPELINE DIRECTION COLOUR : RED
- 2. ALL LINES AND WORDING COLOUR : BLACK

TYPICAL IDENTIFICATION PLATE ON CONCRETE MARKER

N.T.S

FOURTH SCHEDULE

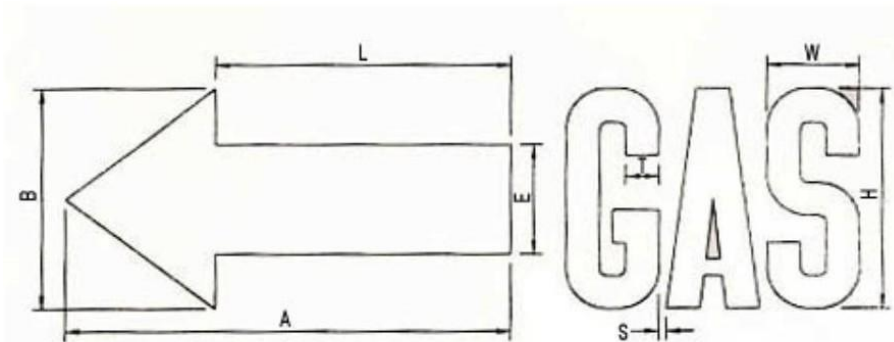
[Subregulation 59(1)]

FIGURE 4

GOVERNMENT OF THE STATE OF SABAH

GAS SUPPLY ENACTMENT 2023

MARKING ON GAS PIPELINE



NOTE:

1. POSITION OF ARROW HEAD INDICATE THE DIRECTION OF GAS FLOW IN THE GAS PIPELINE.
2. THE GAS PIPELINE SHALL BE PAINTED YELLOW IN COLOUR. CODE – BS NO.381C309
3. THE ARROW AND LETTERINGS SHALL BE BLACK IN COLOUR. CODE – BS NO. 005E53

NO	PIPE SIZE (X)	A (MM)	B (MM)	E (MM)	L (MM)	H (MM)	W (MM)	T (MM)	S (MM)
1.	ABOVE 8 INS N.P.S	120	60	30	80	60	25	9	2
2.	6 INS N.P.S \leq x < 8 INS N.P.S	100	34	16	70	34	16	6	2
3.	4 INS N.P.S \leq x < 6 INS N.P.S	100	30	16	75	30	15	5	2
4.	2 INS N.P.S \leq x < 4 INS N.P.S	70	20	10	50	20	10	3	2
5.	BELOW 2 INS N.P.S	35	12	6	25	12	6	2	2

Made this 10 January 2023.

DATUK SERI PANGLIMA HAJI HAJI BIN HAJI NOOR,
Chief Minister of Sabah.